



# PROTECTRON ELECTROMECH (P) LTD

DESCRIPTION : P.C.B MOUNT FUSE HOLDER FOR  $\phi 5 \times 20\text{mm}$   
FUSE, SCREW CAP HORIZONTAL MOUNTING WITH 3 LEADS

PART NO: P8029-14



## PHYSICAL

INSULATOR BODY : NYLON  
CONTACT : BRASS, TIN PLATED

## ELECTRICAL

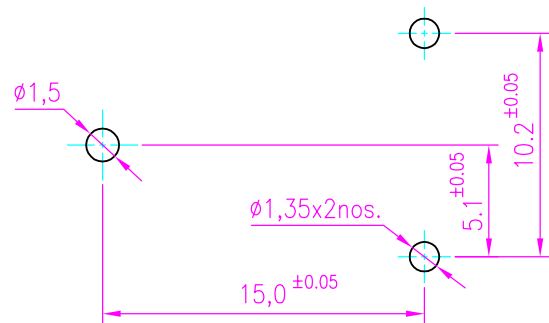
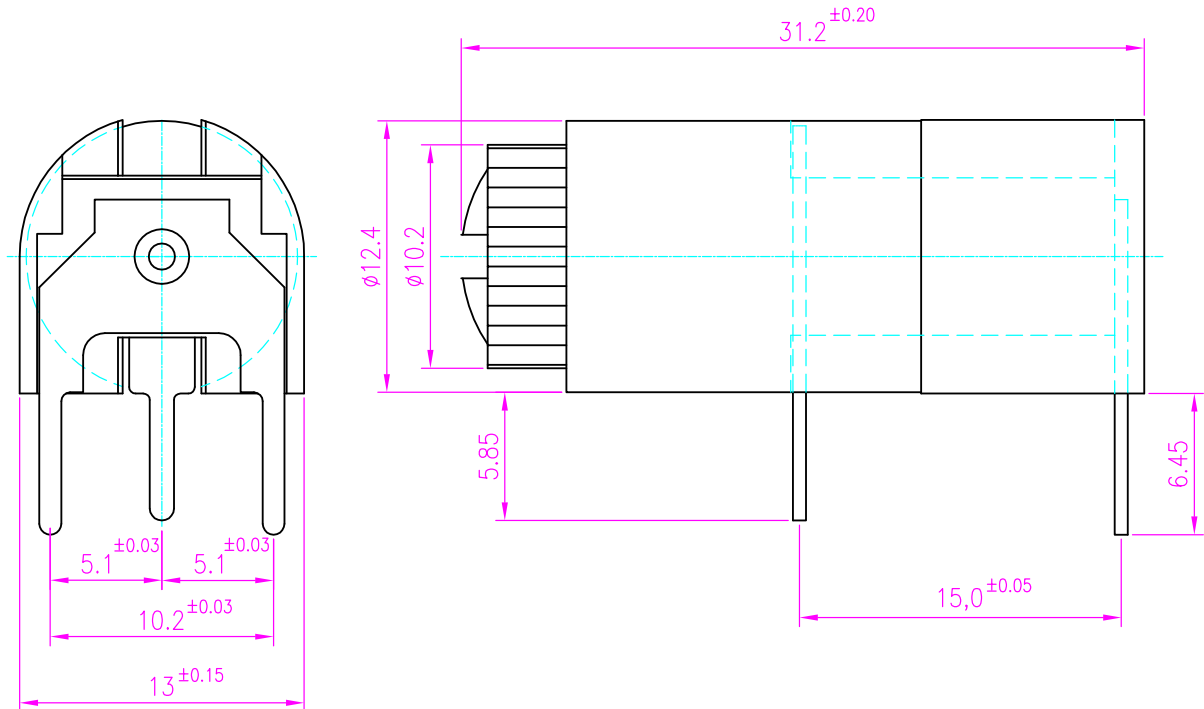
RATED CURRENT : 6.3A  
INSULATION RESISTANCE : 100M  $\Omega$  MIN  
CONTACT RESISTANCE : 5m  $\Omega$  MAX  
BREAKING VOLTAGE : 1500V MIN



# PROTECTRON ELECTROMECH (P) LTD

DESCRIPTION : P.C.B MOUNT FUSE HOLDER FOR  $\phi 5 \times 20\text{mm}$   
 FUSE, SCREW CAP HORIZONTAL MOUNTING WITH 3 LEADS

PART NO: P8029-14



PCB MOUNTING HOLE DETAILS

### ORDERING INFORMATION

P8029-14 for 5x20mm Bayonet  
 type Horizontal Mount

A	ORIGINAL		SACHIN	16.11.2005		
REV.	DESCRIPTION			DRN. BY	DATE	CK'ED BY APP'D BY
Projection: 		Scale: NTS	Sht. Size: A4	Gen. Tol.: $\pm 1\text{mm}$ $\pm 2^\circ$	ALL DIMENSIONS ARE IN MM. IF UNLESS OTHERWISE SPECIFIED.	