



PROTECTRON ELECTROMECH (P) LTD

DESCRIPTION :MODULAR JACK, SIDE ENTRY, DUAL PORT, VERY LOW PROFILE, WITH FLANGE

PART NO:PSY003LD-XPXC-X
(SEE TABLE)

RoHS



PHYSICAL

MATERIAL

INSULATOR	:	PBT
FLAMMABILITY	:	UL 94V-0
COLOR	:	BLACK COLOR
CONTACT	:	PHOSPHOR BRONZE , GOLD PLATING
PACKAGING TYPE	:	BULK PACKING

ELECTRICAL

CONTACT RESISTANCE	:	30m OHMS MAX
INSULATION RESISTANCE	:	500M OHMS MIN
CURRENT RATING	:	1.5A
VOLTAGE RATING	:	500V AC MAX

MECHANICAL DATA

MECHANICAL LIFE	:	500 CYCLES MIN
-----------------	---	----------------

ENVIRONMENTAL DATA

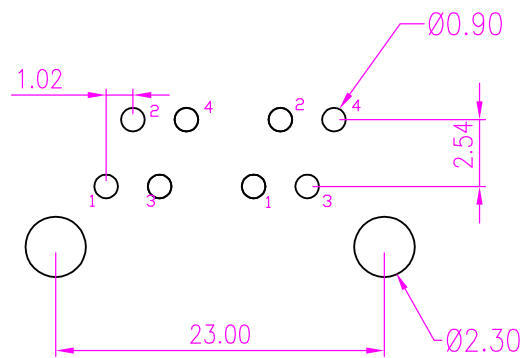
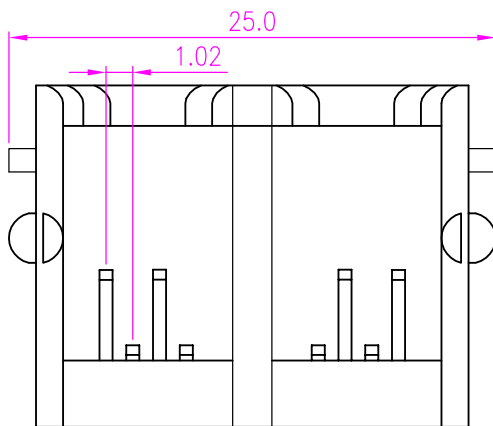
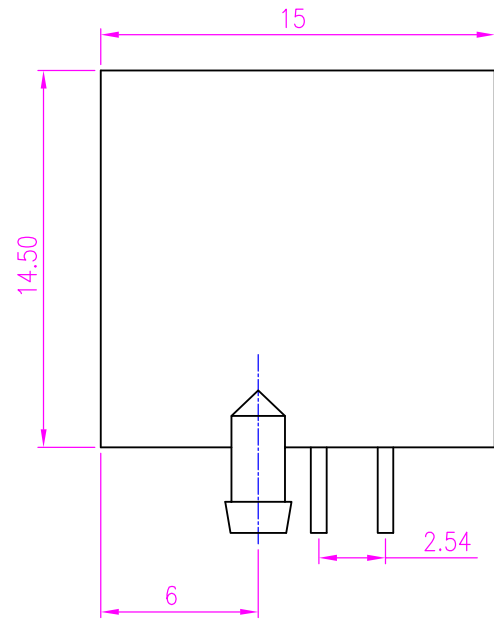
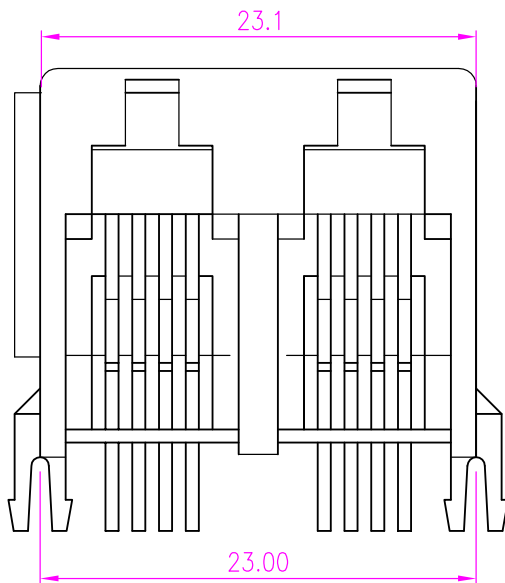
TEMPERATURE RANGE	:	-40° TO +70° C
-------------------	---	----------------



PROTECTRON ELECTROMECH (P) LTD

DESCRIPTION : MODULAR JACK, SIDE ENTRY, DUAL PORT, VERY LOW PROFILE, WITH FLANGE

PART NO: PSY003LD-XPXC-X
(SEE TABLE)



P.C.B LAYOUT

A	ORIGINAL		RAJESH	11.11.2011		
REV.	DESCRIPTION			DRN BY	DATE	CK'ED BY APP'D BY
Projection: 		Scale: NTS	Sht. Size: A4	Gen. Tol.: ±0.35mm	ALL DIMENSIONS ARE IN MM. IF UNLESS OTHERWISE SPECIFIED.	

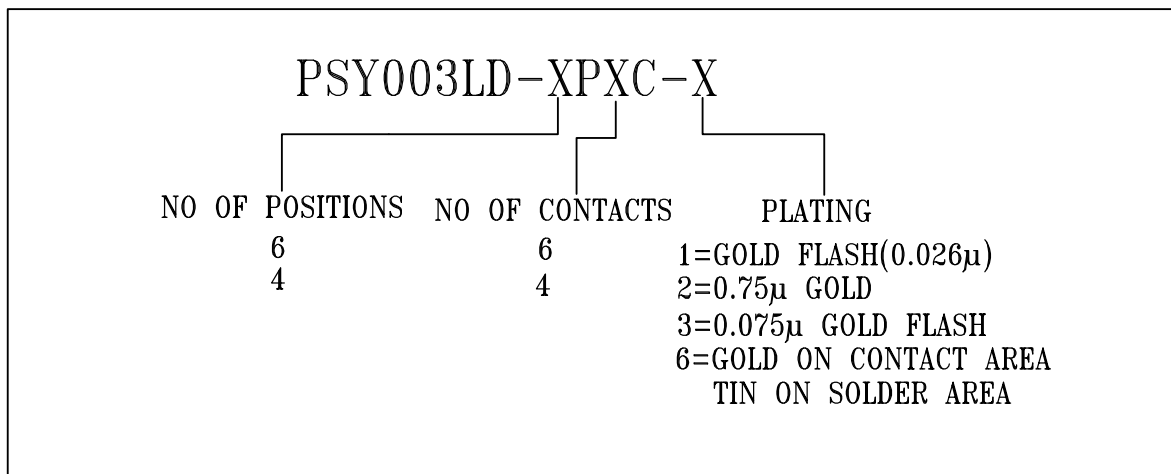


PROTECTRON ELECTROMECH (P) LTD

DESCRIPTION :MODULAR JACK, SIDE ENTRY, DUAL PORT, VERY LOW PROFILE, WITH FLANGE

PART NO:PSY003LD-XPXC-X
(SEE TABLE)

ORDERING INFORMATION



MOQ- ----

SPQ- ----