

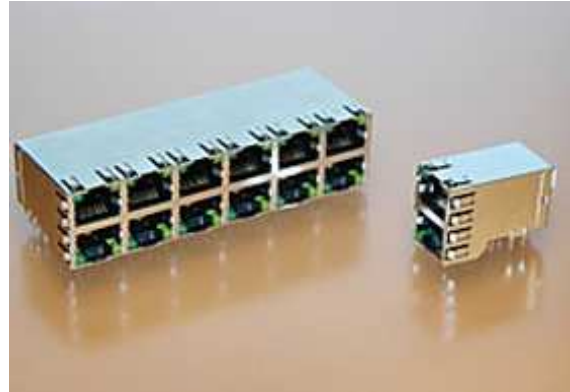


# PROTECTRON ELECTROMECH (P) LTD

**DESCRIPTION :RJ45 MODULAR JACK, SIDE ENTRY, SHIELDED, DOUBLE DECKER WITH LED(GREEN,GREEN), LONG BODY,3 SIDE PANEL GROUND TABS**

**PART NO:PSY020PX8P8CXXD  
(SEE TABLE)**

RoHS



## PHYSICAL

### MATERIAL

INSULATOR	:	PBT
FLAMMABILITY	:	UL 94V-0
COLOR	:	BLACK COLOR
CONTACT, FLAT PIN	:	SELECTIVE GOLD PLATING
PACKAGING TYPE	:	BULK PACKING

## ELECTRICAL

CONTACT RESISTANCE	:	30m OHMS MAX
INSULATION RESISTANCE	:	500M OHMS MIN
CURRENT RATING	:	1.5A
VOLTAGE RATING	:	150V AC MAX

## MECHANICAL DATA

MECHANICAL LIFE	:	50 CYCLES MIN
-----------------	---	---------------

## ENVIRONMENTAL DATA

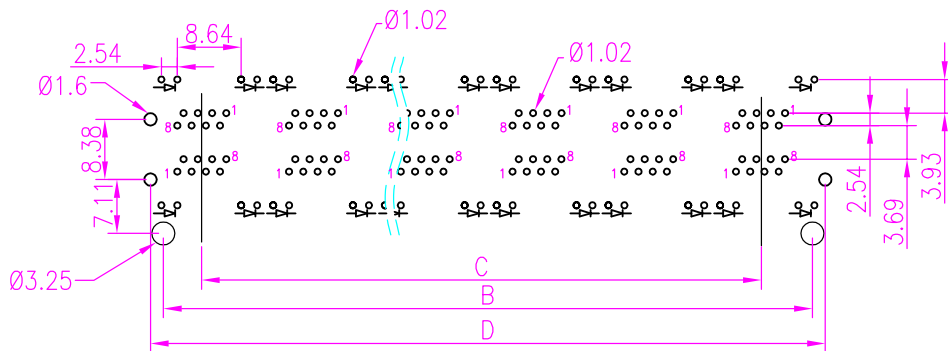
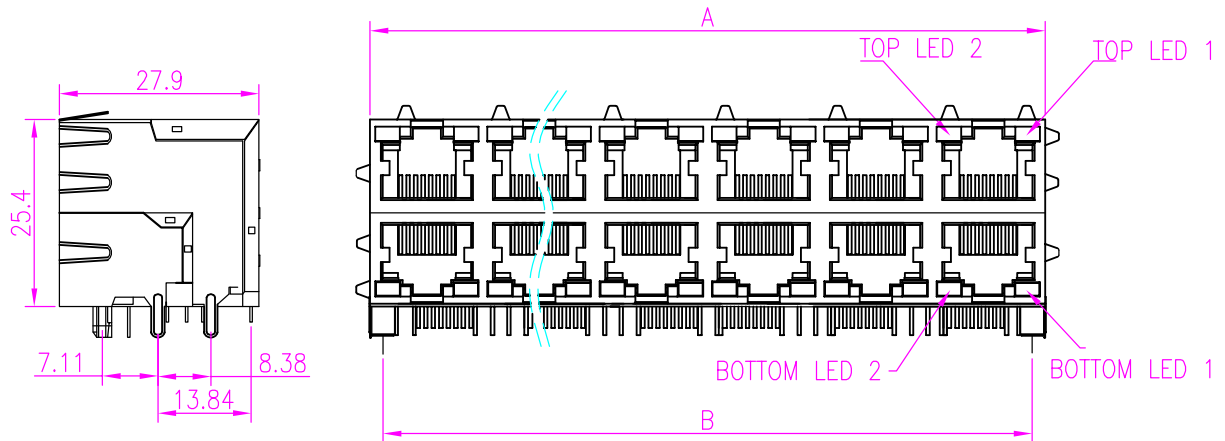
TEMPERATURE RANGE	:	-40° TO +70° C
-------------------	---	----------------



# PROTECTRON ELECTROMECH (P) LTD

DESCRIPTION : RJ45 MODULAR JACK, SIDE ENTRY, SHIELDED, DOUBLE DECKER WITH LED (GREEN, GREEN), LONG BODY, 3 SIDE PANEL GROUND TABS

PART NO: PSY020PX8P8CXXD  
(SEE TABLE)



P.C.B LAYOUT

DIMENSIONS	NO. OF PORTS					
	2	4	6	8	8	8
A	16.40	32.10	47.80	63.70	95.10	126.60
B	12.70	28.44	44.19	59.94	91.44	122.94
C		15.75	31.50	47.25	78.75	110.25
D	16.26	32.00	47.74	63.50	95.00	126.50

A	ORIGINAL		ANIL	31.10.2008			
REV.	DESCRIPTION			DRN BY	DATE	CK'ED BY	APP'D BY
Projection: 		Scale: NTS	Sht. Size: A4	Gen. Tol.: ±0.25mm	ALL DIMENSIONS ARE IN MM. IF UNLESS OTHERWISE SPECIFIED.		

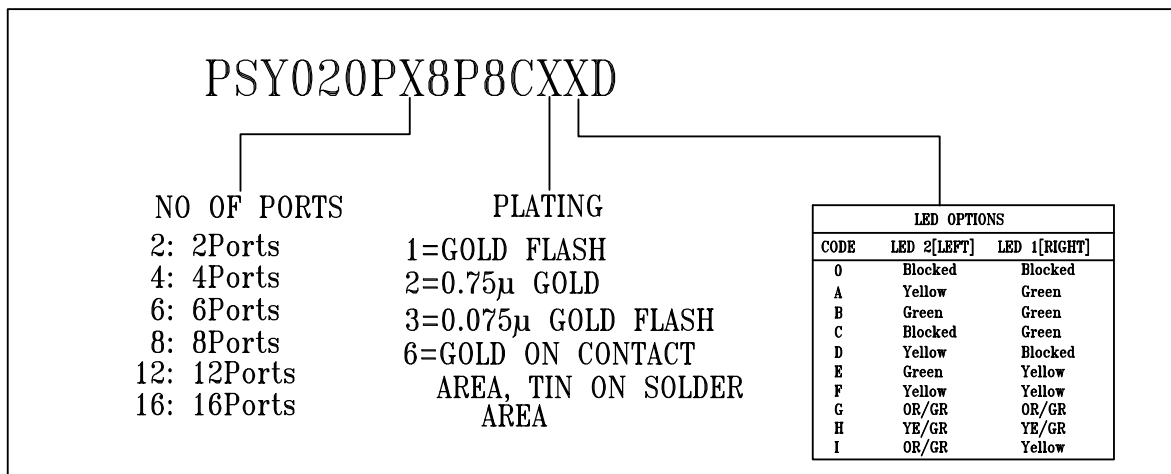


# PROTECTRON ELECTROMECH (P) LTD

DESCRIPTION :RJ45 MODULAR JACK, SIDE ENTRY, SHIELDED,  
DOUBLE DECKER WITH LED(GREEN,GREEN), LONG  
BODY,3 SIDE PANEL GROUND TABS

PART NO:PSY020PX8P8CXXD  
(SEE TABLE)

## ORDERING INFORMATION



MOQ- ----

SPQ- ----