



# PROTECTRON ELECTROMECH (P) LTD

**DESCRIPTION** :RJ45 MODULAR JACK, SHIELDED, SINGLE PORT,  
SIDE ENTRY, WITH LED, WITH PANEL  
GROUND TABS, 8P8C

**PART NO:**PSY018PLX8P8CXX  
(SEE TABLE)

RoHS



## PHYSICAL

### MATERIAL

INSULATOR	:	THERMOPLASTIC
FLAMMABILITY	:	UL 94V-0
COLOR	:	BLACK COLOR
CONTACT	:	PHOSPHOR BRONZE
SHIELDED	:	BRASS, NICKEL PLATED
<b>PACKAGING TYPE</b>	:	<b>BULK PACKING</b>

## ELECTRICAL

CONTACT RESISTANCE	:	50m OHMS MAX
INSULATION RESISTANCE	:	500M OHMS MIN
CURRENT RATING	:	1.5A
WITHSTANDING VOLTAGE	:	500V AC/MIN

## MECHANICAL DATA

MECHANICAL LIFE	:	500 CYCLES MIN
-----------------	---	----------------

## ENVIRONMENTAL DATA

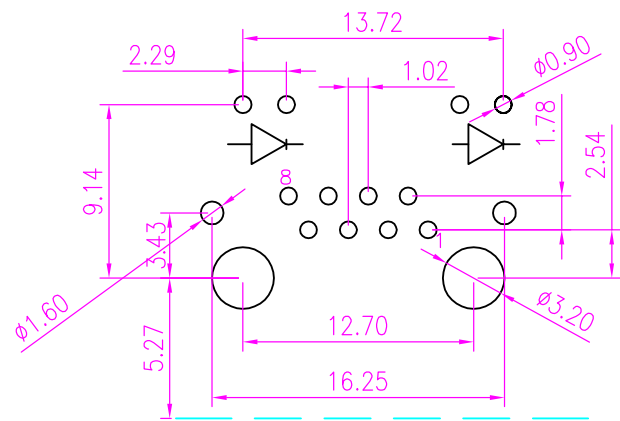
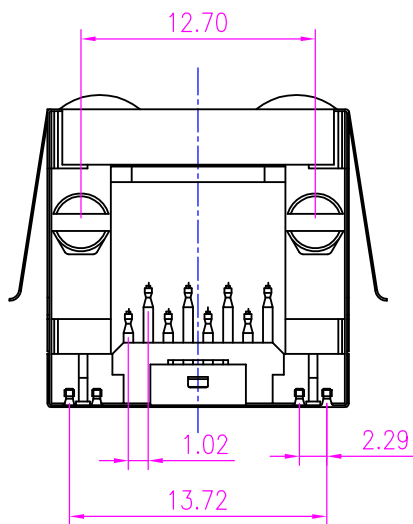
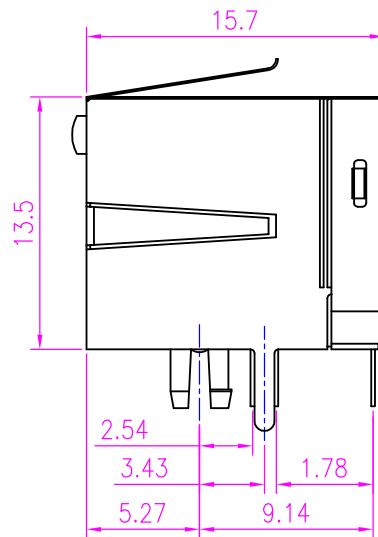
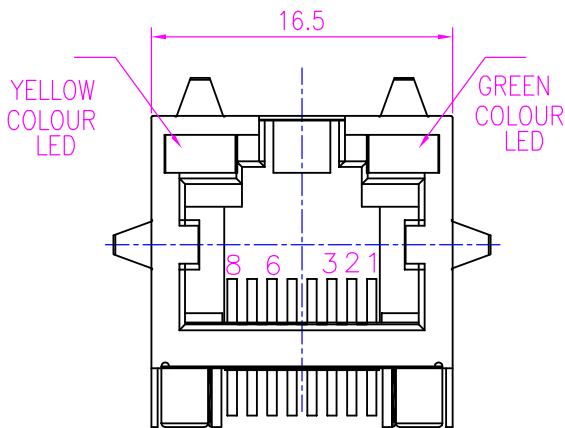
TEMPERATURE RANGE	:	-40° TO +70° C
-------------------	---	----------------



# PROTECTRON ELECTROMECH (P) LTD

DESCRIPTION : RJ45 MODULAR JACK, SHIELDED, SINGLE PORT,  
SIDE ENTRY, WITH LED, WITH PANEL  
GROUND TABS, 8P8C

PART NO: PSY018PLX8P8CX  
(SEE TABLE)



PCB LAYOUT  
(PCB TOLERANCE  $\pm 0.15$ )

A	ORIGINAL		SIDDU	07.07.2007		
REV.	DESCRIPTION			DRN BY	DATE	CK'ED BY APP'D BY
Projection: 		Scale: NTS	Sht. Size: A4	Gen. Tol.: $\pm 0.25$ mm	ALL DIMENSIONS ARE IN MM. IF UNLESS OTHERWISE SPECIFIED.	



# PROTECTRON ELECTROMECH (P) LTD

DESCRIPTION :RJ45 MODULAR JACK, SHIELDED, SINGLE PORT,  
SIDE ENTRY, WITH LED, WITH PANEL  
GROUND TABS, 8P8C

PART NO:PSY018PLX8P8CXX  
(SEE TABLE)

## ORDERING INFORMATION

**PSY018PLX8P8CXX**

<p><b>SINGLE PORTS</b></p> <p>"-"=Single Port</p> <p>2: 2Ports</p> <p>4: 4Ports</p> <p>6: 6Ports</p> <p>8: 8Ports</p>	<p><b>PLATING</b></p> <p>1=GOLD FLASH(0.026μ)</p> <p>2=0.75μ GOLD</p> <p>3=0.075μ GOLD FLASH</p> <p>6=GOLD ON CONTACT AREA TIN ON SOLDER AREA</p>	<table border="1" style="width: 100%; border-collapse: collapse;"> <thead> <tr> <th colspan="3">LED OPTIONS</th> </tr> <tr> <th>CODE</th> <th>LED 2[LEFT]</th> <th>LED 1[RIGHT]</th> </tr> </thead> <tbody> <tr><td>0</td><td>Blocked</td><td>Blocked</td></tr> <tr><td>A</td><td>Yellow</td><td>Green</td></tr> <tr><td>B</td><td>Green</td><td>Green</td></tr> <tr><td>C</td><td>Blocked</td><td>Green</td></tr> <tr><td>D</td><td>Yellow</td><td>Blocked</td></tr> <tr><td>E</td><td>Green</td><td>Yellow</td></tr> <tr><td>F</td><td>Yellow</td><td>Yellow</td></tr> <tr><td>G</td><td>OR/GR</td><td>OR/GR</td></tr> <tr><td>H</td><td>YE/GR</td><td>YE/GR</td></tr> <tr><td>I</td><td>OR/GR</td><td>Yellow</td></tr> </tbody> </table>	LED OPTIONS			CODE	LED 2[LEFT]	LED 1[RIGHT]	0	Blocked	Blocked	A	Yellow	Green	B	Green	Green	C	Blocked	Green	D	Yellow	Blocked	E	Green	Yellow	F	Yellow	Yellow	G	OR/GR	OR/GR	H	YE/GR	YE/GR	I	OR/GR	Yellow
LED OPTIONS																																						
CODE	LED 2[LEFT]	LED 1[RIGHT]																																				
0	Blocked	Blocked																																				
A	Yellow	Green																																				
B	Green	Green																																				
C	Blocked	Green																																				
D	Yellow	Blocked																																				
E	Green	Yellow																																				
F	Yellow	Yellow																																				
G	OR/GR	OR/GR																																				
H	YE/GR	YE/GR																																				
I	OR/GR	Yellow																																				

MOQ- ----

SPQ- ----