



PROTECTRON ELECTROMECH (P) LTD

DESCRIPTION : MODULAR JACK WITHOUT FLANGE, SIDE ENTRY,
LOW PROFILE

PART NO:PSY002A-XPXC-X
(SEE TABLE)

RoHS



PHYSICAL

MATERIAL	:	
INSULATOR	:	PBT
FLAMMABILITY	:	UL 94V-0
COLOR	:	BLACK COLOR
CONTACT	:	PHOSPHOR BRONZE
PACKAGING TYPE	:	BULK PACKING

ELECTRICAL

CONTACT RESISTANCE	:	30m OHMS MAX
INSULATION RESISTANCE	:	500M OHMS MIN
CURRENT RATING	:	1.5A
VOLTAGE RATING	:	150V AC MAX
DIELECTRIC WITHSATNDING	:	500V AC/MIN

MECHANICAL DATA

MECHANICAL LIFE	:	50 CYCLES MIN
-----------------	---	---------------

ENVIRONMENTAL DATA

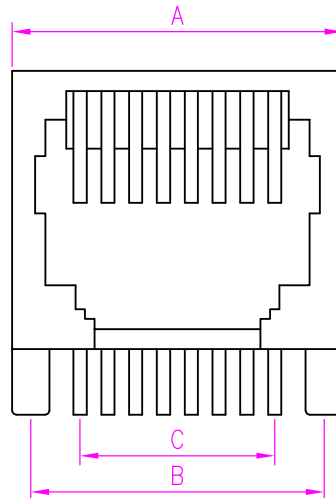
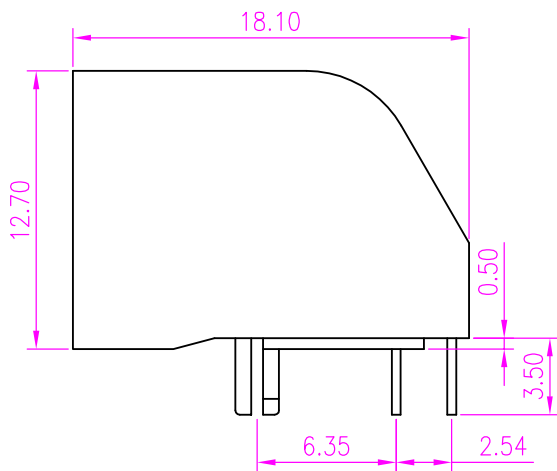
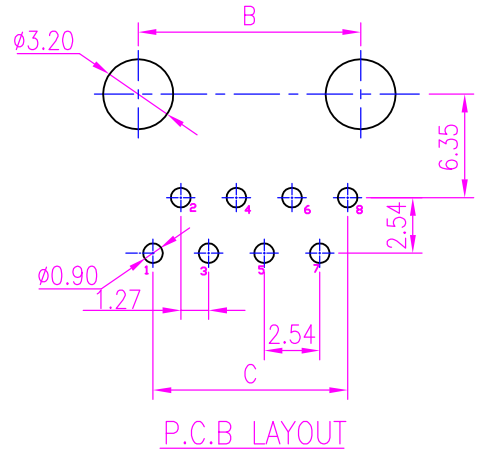
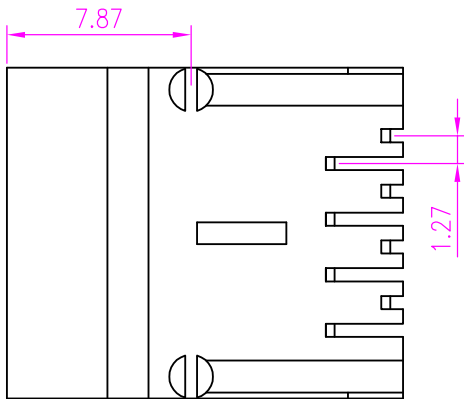
TEMPERATURE RANGE	:	-40° TO +70° C
-------------------	---	----------------



PROTECTRON ELECTROMECH (P) LTD

DESCRIPTION : MODULAR JACK WITHOUT FLANGE, SIDE ENTRY,
LOW PROFILE

PART NO:PSY002A-XPXC-X
(SEE TABLE)



POSITIONS	DIM. A	DIM. B	DIM. C
6	13.30	10.16	6.35
8	15.10	11.43	8.89

A	ORIGINAL	SACHIN	19.10.2004			
REV.	DESCRIPTION		DRN BY	DATE	CK'ED BY	APP'D BY
Projection: 		Scale: NTS	Sht. Size: A4	Gen. Tol.: ±0.35mm	ALL DIMENSIONS ARE IN MM. IF UNLESS OTHERWISE SPECIFIED.	

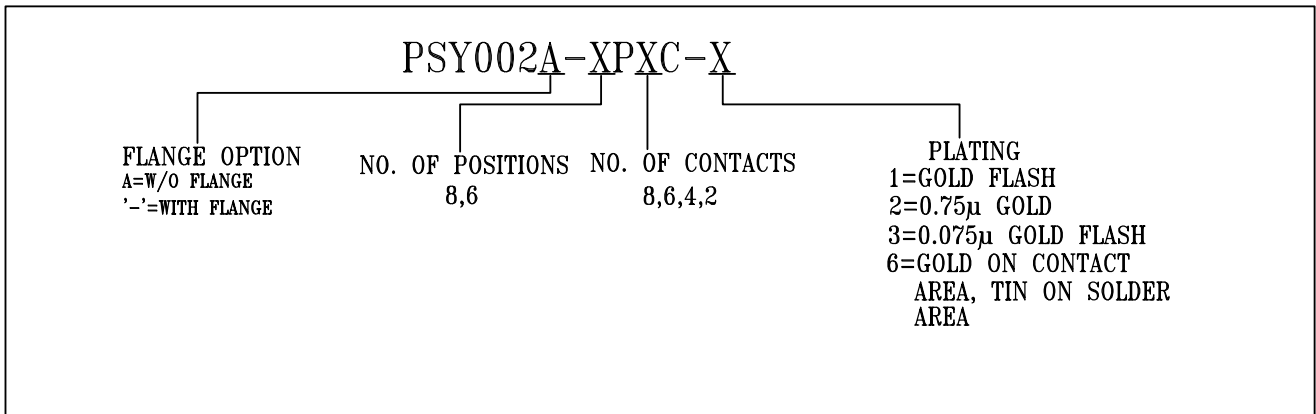


PROTECTRON ELECTROMECH (P) LTD

DESCRIPTION : MODULAR JACK WITHOUT FLANGE, SIDE ENTRY,
LOW PROFILE

PART NO:PSY002A-XPXC-X
(SEE TABLE)

ORDERING INFORMATION



MOQ- ----

SPQ- ----