

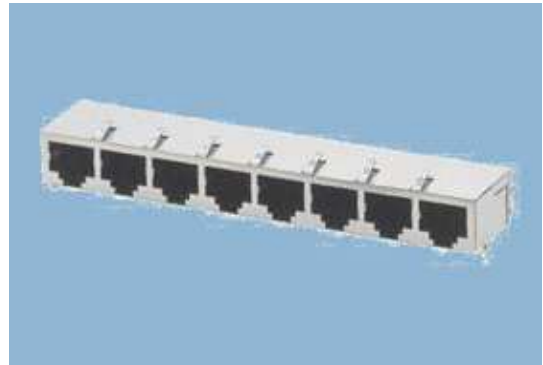


# PROTECTRON ELECTROMECH (P) LTD

DESCRIPTION : MODULAR JACK SIDE ENTRY, SHIELDED, LONG BODY WITH GROUND TABS REVERSE PANEL

PART NO: PSY001PLXXXPCX  
(SEE TABLE)

RoHS



## PHYSICAL

### MATERIAL

INSULATOR	:	THERMOPLASTIC
FLAMABILITY	:	UL 94V-0
COLOR	:	
CONTACT	:	PHOSPHOR BRONZE
SHEILDING	:	BRASS, NICKEL PLATING
PACKAGING TYPE	:	BULK PACKING

## ELECTRICAL

CONTACT RESISTANCE	:	30m OHMS MAX
INSULATION RESISTANCE	:	500M OHMS MIN
CURRENT RATING	:	1.5A
DIELECTRIC WITHSATNDING	:	500V AC/MIN

## MECHANICAL DATA

MECHANICAL LIFE	:	500 CYCLES MIN
-----------------	---	----------------

## ENVIRONMENTAL DATA

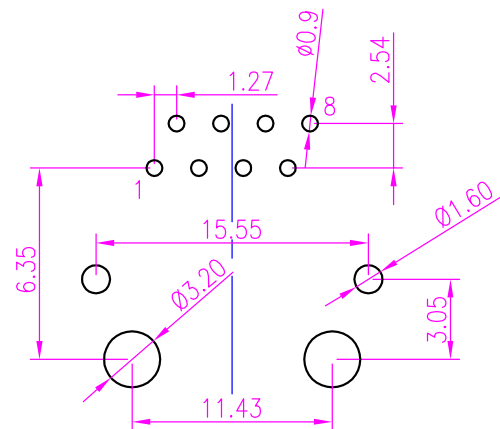
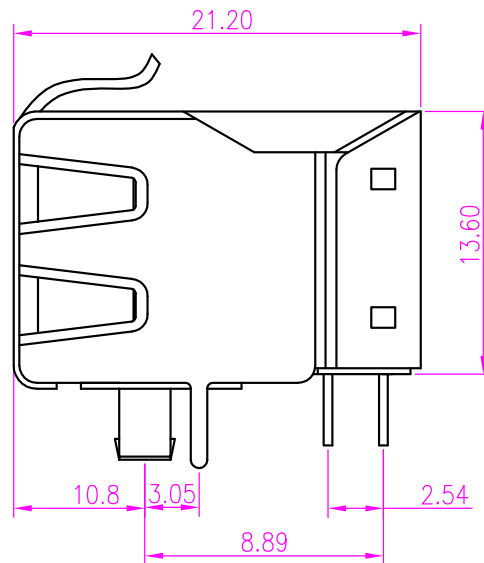
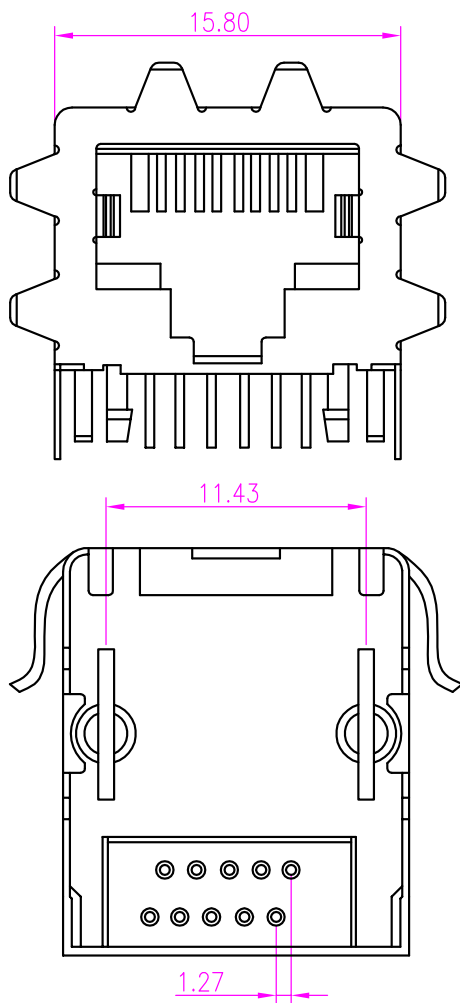
TEMPERATURE RANGE	:	-40° TO +70° C
-------------------	---	----------------



# PROTECTRON ELECTROMECH (P) LTD

DESCRIPTION : MODULAR JACK SIDE ENTRY, SHIELDED, LONG BODY WITH GROUND TABS REVERSE PANEL

PART NO: PSY001PLXXXPXCX  
(SEE TABLE)



P.C.B LAYOUT

A	ORIGINAL		SACHIN	19.11.2007			
REV.	DESCRIPTION			DRN BY	DATE	CK'ED BY	APP'D BY
Projection: 		Scale: NTS	Sht. Size: A4	Gen. Tol.: ±0.25mm ±0.2°	ALL DIMENSIONS ARE IN MM. IF UNLESS OTHERWISE SPECIFIED.		



# PROTECTRON ELECTROMECH (P) LTD

DESCRIPTION : MODULAR JACK SIDE ENTRY, SHIELDED, LONG BODY WITH GROUND TABS REVERSE PANEL

PART NO: PSY001PLXXXPXCX  
(SEE TABLE)

## ORDERING INFORMATION

PSY001PLXXXPXCX				
NO OF PORTS	DIMENTION ON TAB	NO. OF POSITIONS	NO. OF CONTACTS	PLATING
'-'=SINGLE PORT	'-'=STD 3.05mm	A	8	1=GOLD FLASH
2/4/5/6/8 PORTS	A=3.68mm	8	6	2=0.75µ GOLD
	B=4.57mm	6	4	3=0.075µ GOLD FLASH
	(1Sheilded pin @Backside)	4	2	6=GOLD ON CONTACT
	C=3.05mm			AREA, TIN ON SOLDER
	D=4.57mm			AREA
	(3Sheilded pin @Backside)			

MOQ- ----

SPQ- ----