



# PROTECTRON ELECTROMECH (P) LTD

DESCRIPTION : MODULAR JACK SIDE ENTRY, UNSHIELDED

PART NO: PSY001LXXXPXCX  
(SEE TABLE)

RoHS



## PHYSICAL

### MATERIAL

INSULATOR	:	PBT
FLAMMABILITY	:	UL 94V-0
COLOR	:	BLACK COLOR
CONTACT	:	PHOSPHOR BRONZE
PLATING	:	SEE TABLE
PACKAGING TYPE	:	BULK PACKING

## ELECTRICAL

CONTACT RESISTANCE	:	30m OHMS MAX
INSULATION RESISTANCE	:	500M OHMS MIN
VOLTAGE RATING	:	150V AC MAX
CURRENT RATING	:	1.5A
DIELECTRIC WITHSATNDING	:	500V AC/MIN

## MECHANICAL DATA

MECHANICAL LIFE	:	500 CYCLES MIN
-----------------	---	----------------

## ENVIRONMENTAL DATA

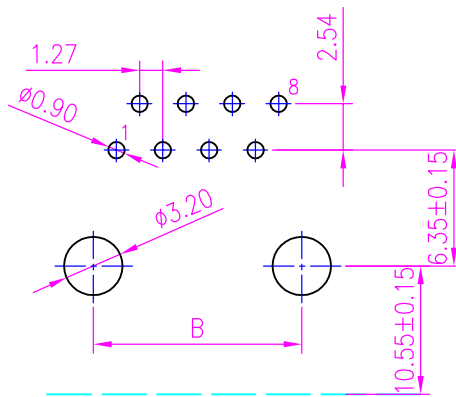
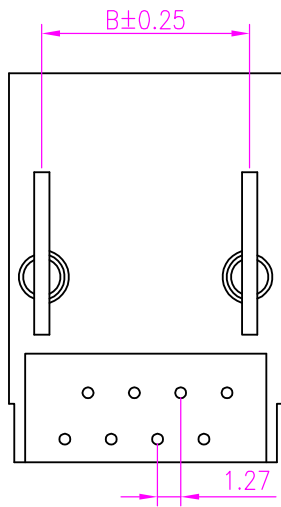
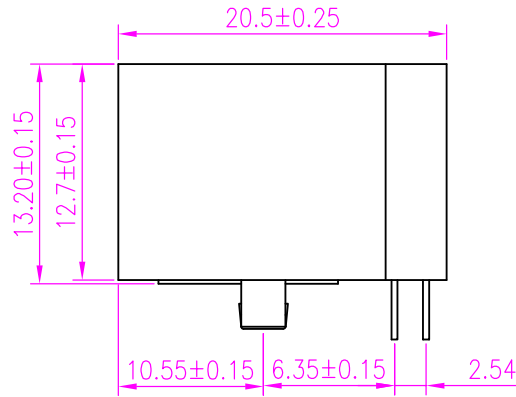
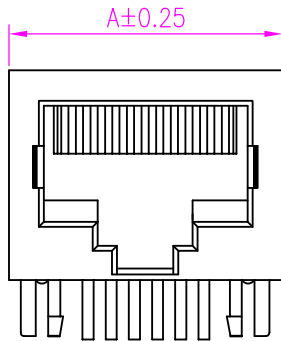
TEMPERATURE RANGE	:	-40° TO +70° C
-------------------	---	----------------



# PROTECTRON ELECTROMECH (P) LTD

DESCRIPTION : MODULAR JACK SIDE ENTRY, UNSHIELDED

PART NO: PSY001LXXXPXCX  
(SEE TABLE)



P.C.B. LAYOUT

No.Of. POSITIONS	DIMENSIONS	
	A	B
4	11.2	7.62
6	13.2	10.16
10	15.2	11.43

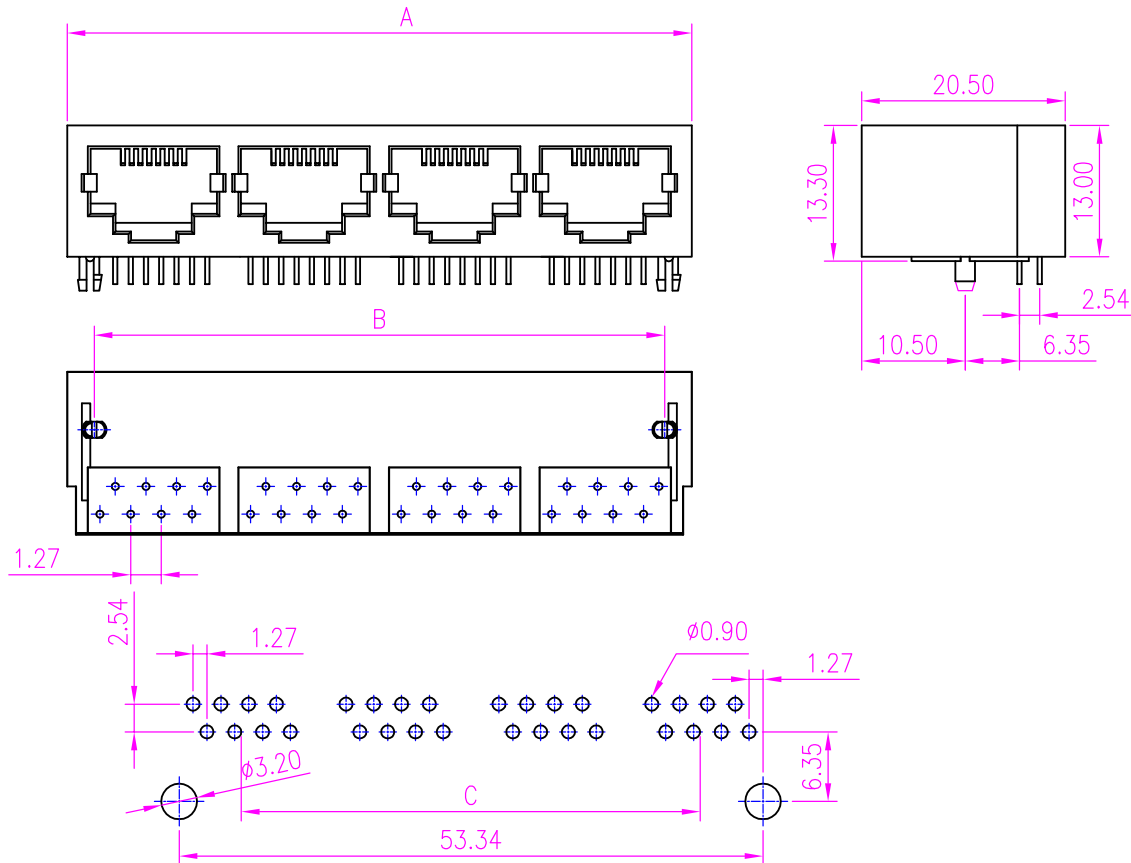
A	ORIGINAL	CHAITRA	30.04.2008			
REV.	DESCRIPTION		DRN BY	DATE	CK'ED BY	APP'D BY
Projection: 		Scale: NTS	Sht. Size: A4	Gen. Tol.: ±0.35mm	ALL DIMENSIONS ARE IN MM. IF UNLESS OTHERWISE SPECIFIED.	



# PROTECTRON ELECTROMECH (P) LTD

DESCRIPTION : MODULAR JACK SIDE ENTRY, UNSHIELDED

PART NO: PSY001LXXXPXCX  
(SEE TABLE)



P.C.B LAYOUT

DIMENSIONS	NO. OF PORTS				
	2	4	5	6	8
A	30.5	58.4	72.4	86.3	114.1
B	25.40	53.34	67.30	81.30	109.20
C	13.98	41.94	55.92	69.90	97.86

A	ORIGINAL			
REV.	DESCRIPTION			
Projection: 	Scale: NTS	Sht. Size: A4	Gen. Tol.: ±0.35mm	ALL DIMENSIONS ARE IN MM. IF UNLESS OTHERWISE SPECIFIED.

<http://www.protectron.in>  
protectron@protectron.in



# PROTECTRON ELECTROMECH (P) LTD

DESCRIPTION : MODULAR JACK SIDE ENTRY, UNSHIELDED

PART NO: PSY001LXXXXPCX  
(SEE TABLE)

## ORDERING INFORMATION

PSY001LXXXXPCX					
SHEILDING OPTION	NO OF PORTS	DIMENSION ON TAB	NO. OF POSITIONS	NO. OF CONTACTS	PLATING
BLANK=W/O SHEILDING	'-'=SINGLE PORT	'-'=STD 3.05mm	A	8	1=GOLD FLASH
S=WITH SHEILDING	2/4/5/6/8 PORTS	A=3.68mm	8	6	2=0.75μ GOLD
		B=4.57mm	6	4	3=0.075μ GOLD FLASH
		(1Sheilded pin @Backside)	4	2	6=GOLD ON CONTACT
		C=3.05mm			AREA, TIN ON SOLDER
		D=4.57mm			AREA
		(3Sheilded pin @Backside)			

MOQ- ----

SPQ- ----