



PROTECTRON ELECTROMECH (P) LTD

DESCRIPTION : MODULAR JACK, SHIELDED WITH FLANGE

PART NO:PSY016S-XPXC-X
(SEE TABLE)

RoHS



PHYSICAL

MATERIAL

INSULATOR	:	THERMOPLASTIC
FLAMMABILITY	:	UL 94V-0
COLOR	:	BLACK COLOR
CONTACT	:	COPPER ALLOY, SELECTIVE PLATING
SHEILDED	:	BRASS, TIN PLATED
PACKAGING TYPE	:	BULK PACKING

ELECTRICAL

CONTACT RESISTANCE	:	50m OHMS MAX
INSULATION RESISTANCE	:	500M OHMS MIN
CURRENT RATING	:	1.5A
DIELECTRIC WITHSTANDING	:	500V AC/MIN

MECHANICAL DATA

MECHANICAL LIFE	:	50 CYCLES MIN
-----------------	---	---------------

ENVIRONMENTAL DATA

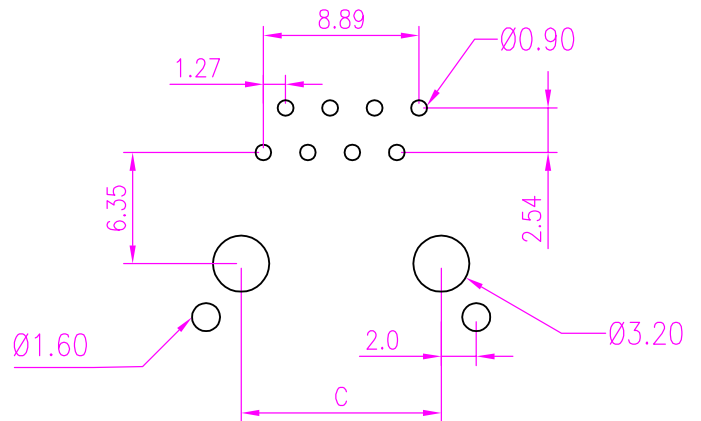
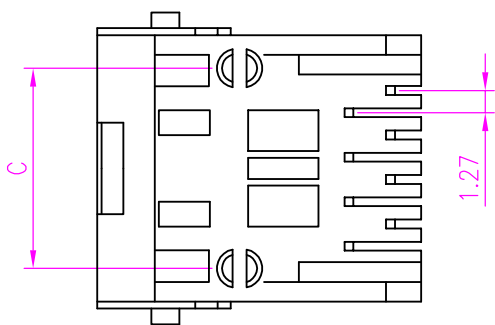
TEMPERATURE RANGE	:	-40° TO +70° C
-------------------	---	----------------



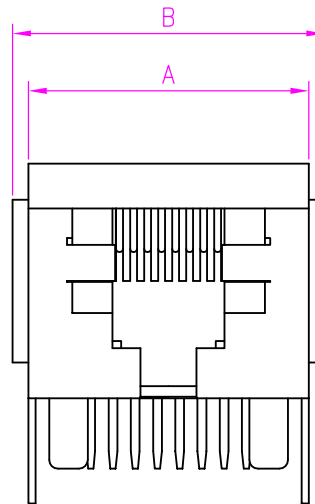
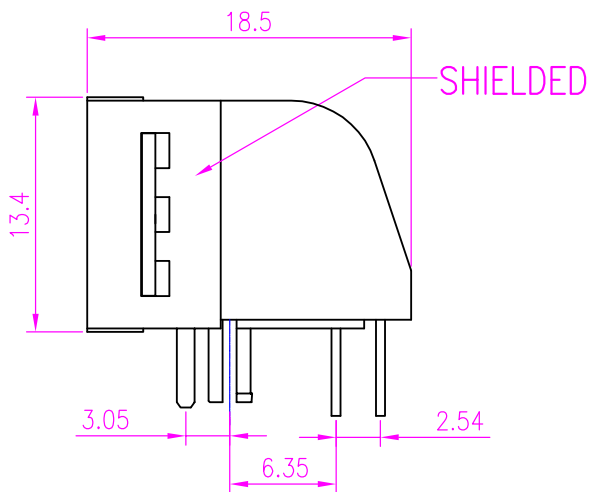
PROTECTRON ELECTROMECH (P) LTD

DESCRIPTION : MODULAR JACK, SHIELDED WITH FLANGE

PART NO:PSY016S-XPXC-X
(SEE TABLE)



P.C.B LAYOUT



POSITIONS	DIM. A	DIM. B	DIM. C
6	14.0	15.8	10.16
8	16.0	17.8	11.43

A	ORIGINAL	SANDHYA	17.11.2005			
REV.	DESCRIPTION		DRN BY	DATE	CK'ED BY	APP'D BY
Projection: 		Scale: NTS	Sht. Size: A4	Gen. Tol.: ±0.35mm	ALL DIMENSIONS ARE IN MM. IF UNLESS OTHERWISE SPECIFIED.	

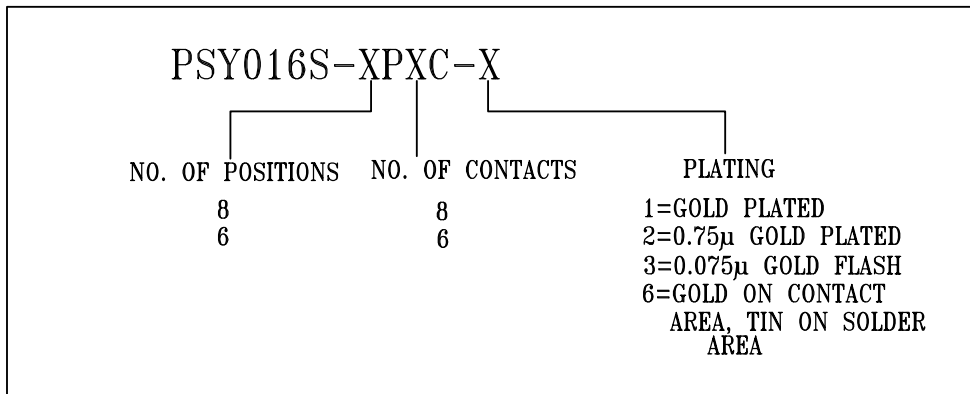


PROTECTRON ELECTROMECH (P) LTD

DESCRIPTION : MODULAR JACK, SHIELDED WITH FLANGE

PART NO:PSY016S-XPXC-X
(SEE TABLE)

ORDERING INFORMATION



MOQ- ----

SPQ- ----