

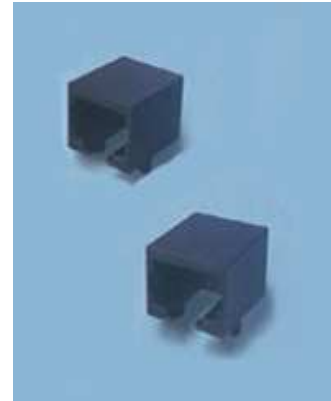


PROTECTRON ELECTROMECH (P) LTD

DESCRIPTION : MODULAR JACK, SIDE ENTRY, VERY LOW PROFILE, UNSHIELDED

PART NO:PSY001-XPXC-X
(SEE TABLE)

RoHS



PHYSICAL

MATERIAL

INSULATOR : PBT
FLAMMABILITY : UL 94V-0
COLOR : BLACK COLOR
CONTACT : PHOSPHOR BRONZE
PACKAGING TYPE : BULK PACKING

ELECTRICAL

CONTACT RESISTANCE : 30m OHMS MAX
INSULATION RESISTANCE : 500M OHMS MIN
VOLTAGE RATING : 150V AC MAX
CURRENT RATING : 1A

MECHANICAL DATA

MECHANICAL LIFE : 500 CYCLES MIN

ENVIRONMENTAL DATA

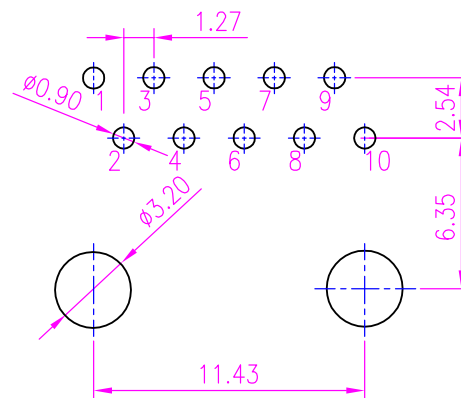
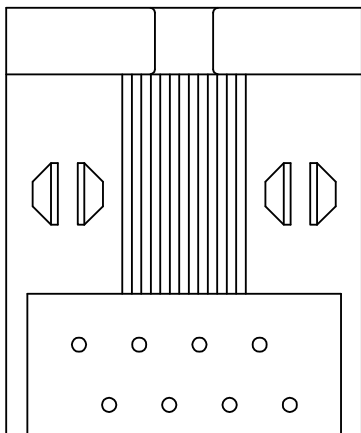
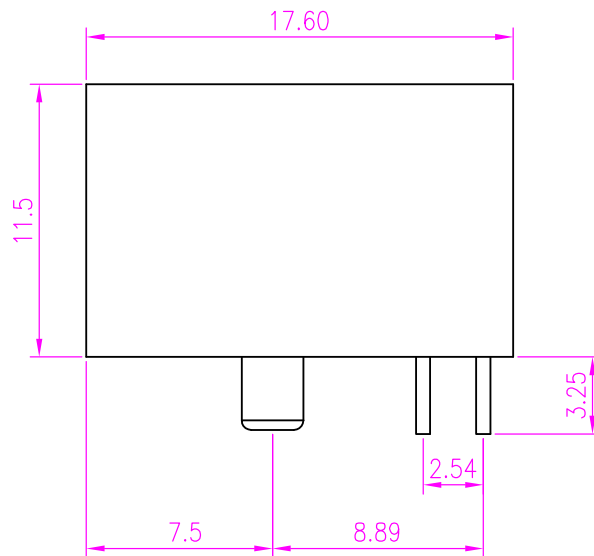
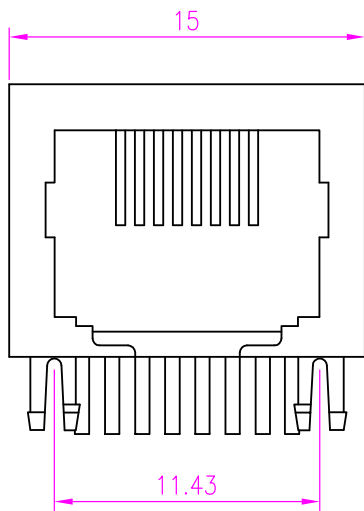
TEMPERATURE RANGE : -40° TO +70° C



PROTECTRON ELECTROMECH (P) LTD

DESCRIPTION : MODULAR JACK, SIDE ENTRY, VERY LOW PROFILE, UNSHIELDED

PART NO:PSY001-XPXC-X
(SEE TABLE)



P.C.B LAYOUT

A	ORIGINAL	SACHIN	19.11.2007			
REV.	DESCRIPTION		DRN BY	DATE	CK'ED BY	APP'D BY
Projection: 		Scale: NTS	Sht. Size: A4	Gen. Tol.:±0.15mm	ALL DIMENSIONS ARE IN MM. IF UNLESS OTHERWISE SPECIFIED.	

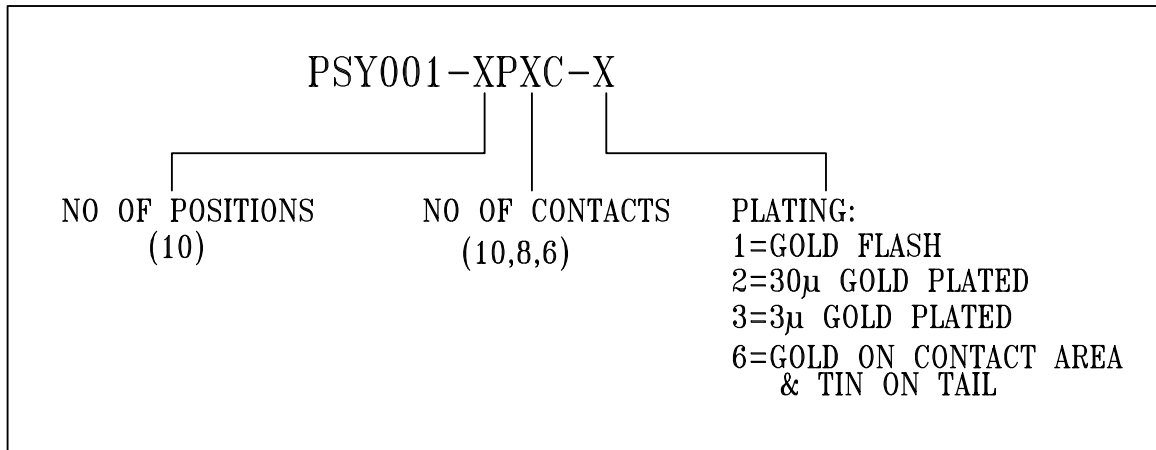


PROTECTRON ELECTROMECH (P) LTD

DESCRIPTION : MODULAR JACK, SIDE ENTRY, VERY LOW
PROFILE, UNSHIELDED

PART NO:PSY001-XPXC-X
(SEE TABLE)

ORDERING INFORMATION



MOQ- ----

SPQ- ----