



# PROTECTRON ELECTROMECH (P) LTD

DESCRIPTION : PCB SOCKETS FOR PINS OF DIA 0.95mm TO 1.05mm

PART NO:P8202-19-32

RoHS



## PHYSICAL

|                |   |                               |
|----------------|---|-------------------------------|
| SLEEVE         | : | BRASS/ TIN PLATED             |
| CLIP           | : | BERYLLIUM COPPER, GOLD PLATED |
| PACKAGING TYPE | : | BULK PACKING                  |

## MECHANICAL DATA

TEST WITH  $\varnothing$ 1.0mm STEEL PIN

|                  |   |                |
|------------------|---|----------------|
| INSERTION FORCE  | : | 1.8N MAX       |
| EXTRACTION FORCE | : | 0.5N MIN       |
| LIFE CYCLE       | : | 500 CYCLES MIN |

MATING CONNECTORS

P8003

P8005

## ORDERING INFORMATION

P8202-19-32

MOQ- 2500 MIN

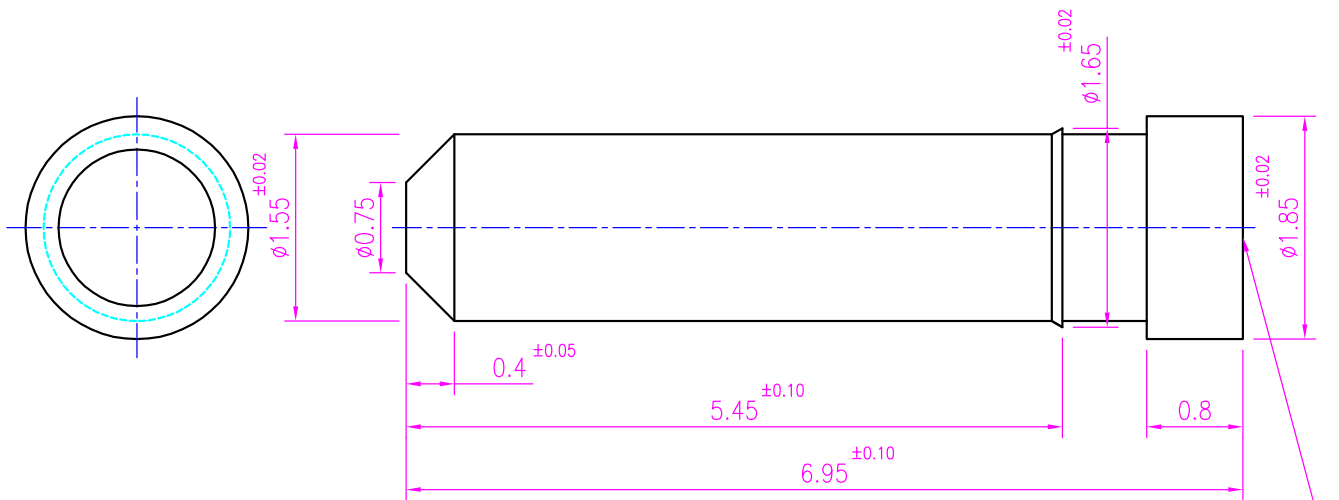
SPQ- 2500 PER PACK



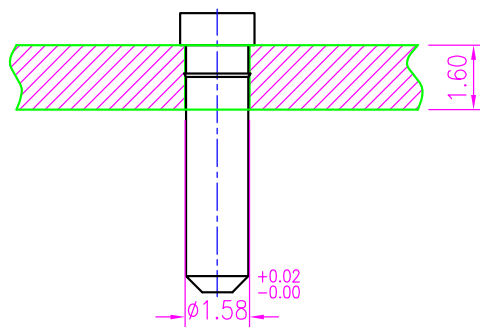
# PROTECTRON ELECTROMECH (P) LTD

DESCRIPTION : PCB SOCKETS FOR PINS OF DIA 0.95mm TO 1.05mm

PART NO:P8202-19-32



TO ACCEPT A MALE PIN OF  $\phi 0.95$ - $\phi 1.05$ mm.



RECOMMENDED PCB LAYOUT

|  |                 |            |               |                          |
|--|-----------------|------------|---------------|--------------------------|
| A  | ORIGINAL        | JJ         | 07.09.99      |                          |
| REV.   | DESCRIPTION     |            | BY            | DATE                     |
|  | Projection:<br> | Scale: NTS | Sht. Size: A4 | Gen. Tol.: $\pm 0.35$ mm |
| ALL DIMENSIONS ARE IN MM. IF UNLESS OTHERWISE SPECIFIED. |                 |            |               |                          |