



# PROTECTRON ELECTROMECH (P) LTD

DESCRIPTION : CONNECTOR JACK FOR 1mm PCB  
MOUNTING, NON-INSULATED

PART NO:P8102-1X-32  
X=TYPE OF PLATING

RoHS



## PHYSICAL

### MATERIAL

INNER CLIP : BERYLLIUM COPPER, GOLD PLATED  
OUTER SLEEVE : BRASS, SILVER/TIN PLATED  
PACKAGING TYPE : BULK PACKING

## ELECTRICAL

CONTACT RESISTANCE : 5m OHMS Max  
RATED CURRENT : 3A DC

## MECHANICAL DATA

MATING INSERTION FORCE : 450g Max  
WITHDRAWAL FORCE : 56g Min

## ENVIRONMENTAL DATA

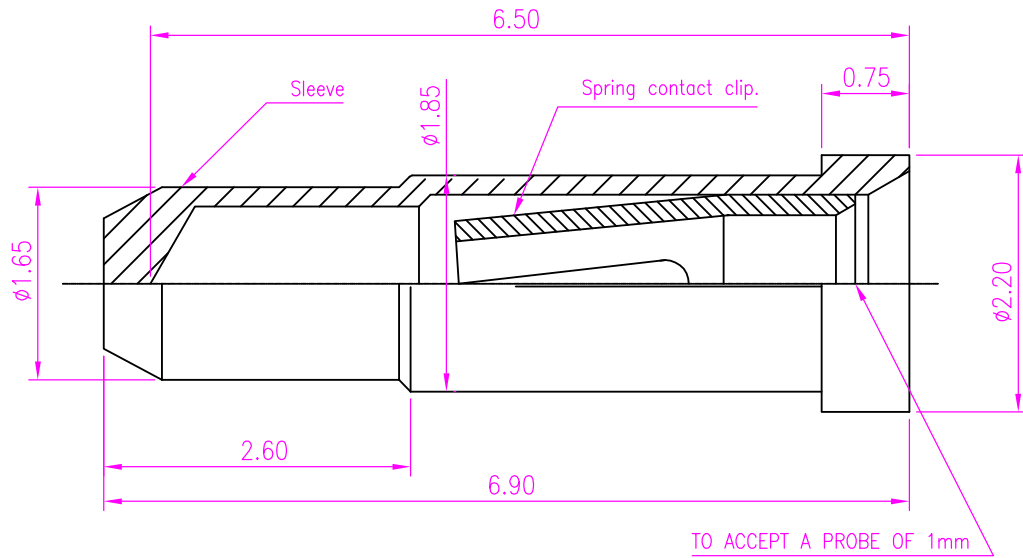
TEMPERATURE RANGE : -25°C TO +70°C



# PROTECTRON ELECTROMECH (P) LTD

DESCRIPTION : CONNECTOR JACK FOR 1mm PCB MOUNTING, NON-INSULATED

PART NO:P8102-1X-32  
X=TYPE OF PLATING



MATES WITH

P8003, P8005

### ORDERING INFORMATION

P8102-1X-32

TYPE OF PLATING

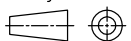
FINISH	TAIL LENGTH
SILVER PLATED	P8102-11-32
GOLD PLATED	P8102-12-32
TIN PLATED	P8102-19-32

MOQ- 2500 MIN

SPQ- 2500 PER PACK

A	ORIGINAL	GK	15.10.2000	
REV.	DESCRIPTION	BY	DATE	APP'D BY

Projection:



Scale: NTS

Sht. Size: A4

Gen. Tol.:±0.35mm

ALL DIMENSIONS ARE IN MM.  
IF UNLESS OTHERWISE SPECIFIED.



# PROTECTRON ELECTROMECH (P) LTD

DESCRIPTION : CONNECTOR JACK FOR 1mm MATING  
NON-INSULATED WITH KNURLING

PART NO:P8102X12-32  
X=TAIL LENGTH

RoHS



## PHYSICAL

### MATERIAL

INNER CLIP : BERYLLIUM COPPER, GOLD PLATED  
OUTER SLEEVE : BRASS, GOLD PLATED  
PACKAGING TYPE : BULK PACKING

## ELECTRICAL

CONTACT RESISTANCE : 5m OHMS Max  
RATED CURRENT : 3A DC

## MECHANICAL DATA

MATING INSERTION FORCE : 450g Max  
WITHDRAWAL FORCE : 56g Min

## ENVIRONMENTAL DATA

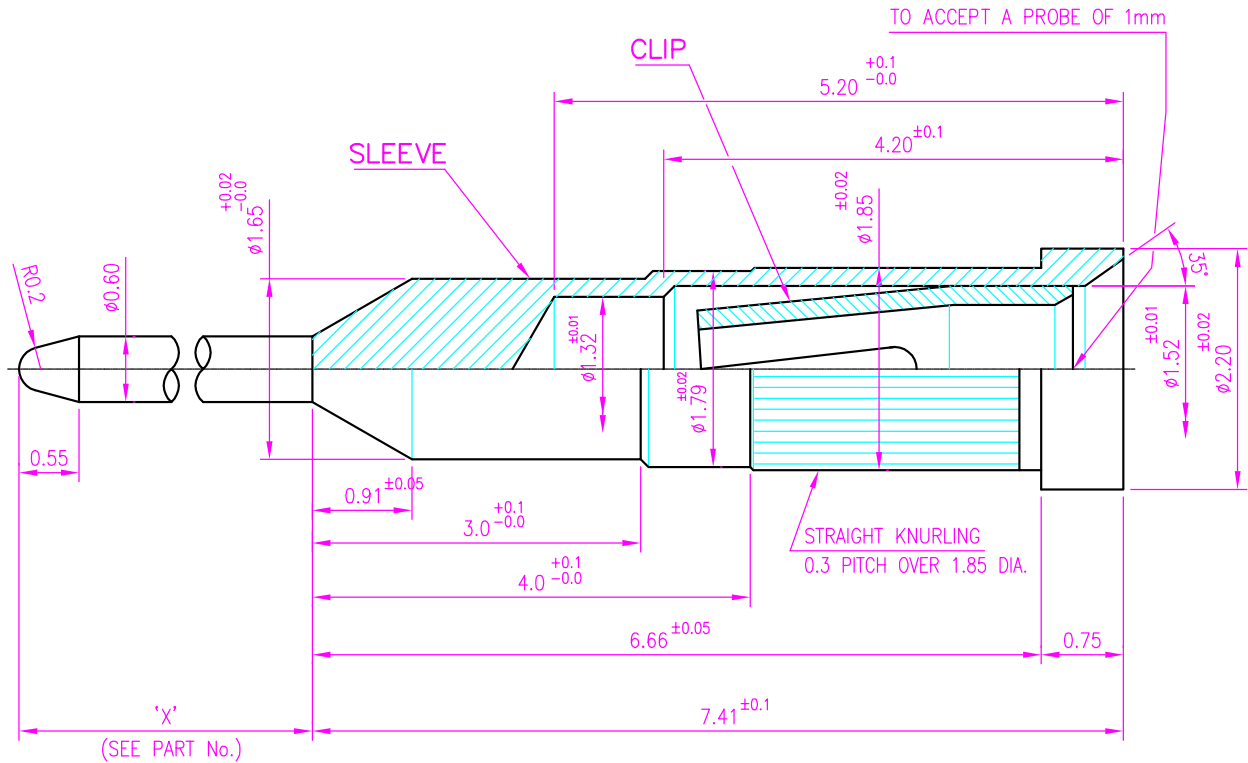
TEMPERATURE RANGE : -25°C TO +70°C



# PROTECTRON ELECTROMECH (P) LTD

DESCRIPTION : CONNECTOR JACK FOR 1mm MATING  
NON-INSULATED WITH KNURLING

PART NO: P8102X12-32  
X=TAIL LENGTH



MATES WITH

P8003, P8005

### ORDERING INFORMATION

P8102X12-32

TAIL LENGTH

A	7.64mm
B	4.64mm

MOQ- 2500 MIN

SPQ- 2500 PER PACK

A	ORIGINAL	SAMSON	15.11.2001	
REV.	DESCRIPTION		BY	DATE
			APP'D BY	

Projection:



Scale: NTS

Sht. Size: A4

Gen. Tol.: ±0.35mm

ALL DIMENSIONS ARE IN MM.  
IF UNLESS OTHERWISE SPECIFIED.