



PROTECTRON ELECTROMECH (P) LTD

DESCRIPTION : 1 mm PCB MOUNTING INSULATED
L=4.5mm

PART NO: P8101-1X-1X-0
1st X=TYPE OF COLOR
2nd X=TYPE OF PLATING

RoHS



PHYSICAL

MATERIAL

INSULATOR BODY	:	POLYPROPELENE
CONTACT	:	BRASS
FINISH	:	REFER TABLE
PACKAGING TYPE	:	BULK PACKING

ELECTRICAL

CONTACT RESISTANCE	:	5m OHMS MAX
INSULATION RESISTANCE	:	1000M OHMS MIN
DIELECTRIC WITHSTANDING	:	500V AC MIN

MECHANICAL DATA

INSERTION FORCE	:	2.2kg MAX
EXTRACTION FORCE	:	0.18kg MIN
MOUNTING HOLE DIA IN PCB	:	Ø1.3mm

ENVIRONMENTAL DATA

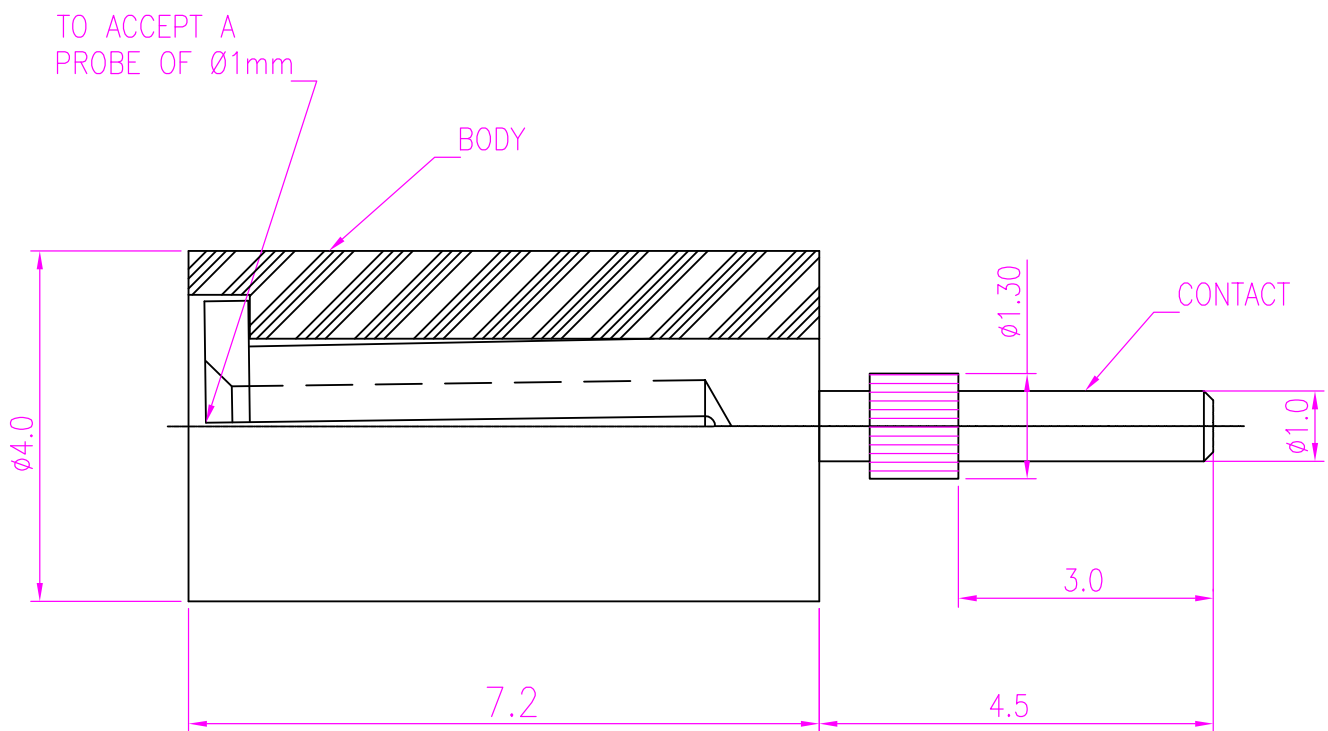
TEMPERATURE RANGE	:	-25°C TO +70°C
-------------------	---	----------------



PROTECTRON ELECTROMECH (P) LTD

DESCRIPTION : 1 mm PCB MOUNTING INSULATED
L=4.5mm

PART NO: P8101-1X-1X-0
1st X=TYPE OF COLOR
2nd X=TYPE OF PLATING



A	ORIGINAL				SAMSON	15.07.2001	
REV.	DESCRIPTION				BY	DATE	APP'D BY
Projection: 		Scale: NTS	Sht. Size: A4	Gen. Tol.: ±0.35mm	ALL DIMENSIONS ARE IN MM. IF UNLESS OTHERWISE SPECIFIED.		



PROTECTRON ELECTROMECH (P) LTD

DESCRIPTION : 1 mm PCB MOUNTING INSULATED
L=4.5mm

PART NO: P8101-1X-1X-0
1st X=TYPE OF COLOR
2nd X=TYPE OF PLATING

ORDERING INFORMATION

P8101-1X-1X-0

TYPE OF COLOR	
BLACK	0
BROWN	1
RED	2
ORANGE	3
YELLOW	4
GREEN	5
BLUE	6
VIOLET	7
GREY	8
WHITE	9

TYPE OF PLATING	
SILVER PLATING	1
GOLD PLATING	2

MATES WITH

P8003, P8005
P8005, P8006

MOQ- 2500 MIN
SPQ- 2500 PER PACK



PROTECTRON ELECTROMECH (P) LTD

DESCRIPTION : 1 mm PCB MOUNTING INSULATED
L=3.0mm

PART NO: P8101-1X-1X-S
1st X=TYPE OF COLOR
2nd X=TYPE OF PLATING

RoHS



PHYSICAL

MATERIAL

INSULATOR BODY	:	POLYPROPELENE
CONTACT	:	BRASS
FINISH	:	REFER TABLE
PACKAGING TYPE	:	BULK PACKING

ELECTRICAL

CONTACT RESISTANCE	:	5m OHMS MAX
INSULATION RESISTANCE	:	1000M OHMS MIN
DIELECTRIC WITHSTANDING	:	500V AC MIN

MECHANICAL DATA

INSERTION FORCE	:	2.2kg MAX
EXTRACTION FORCE	:	0.18kg MIN
MOUNTING HOLE DIA IN PCB	:	Ø1.3mm

ENVIRONMENTAL DATA

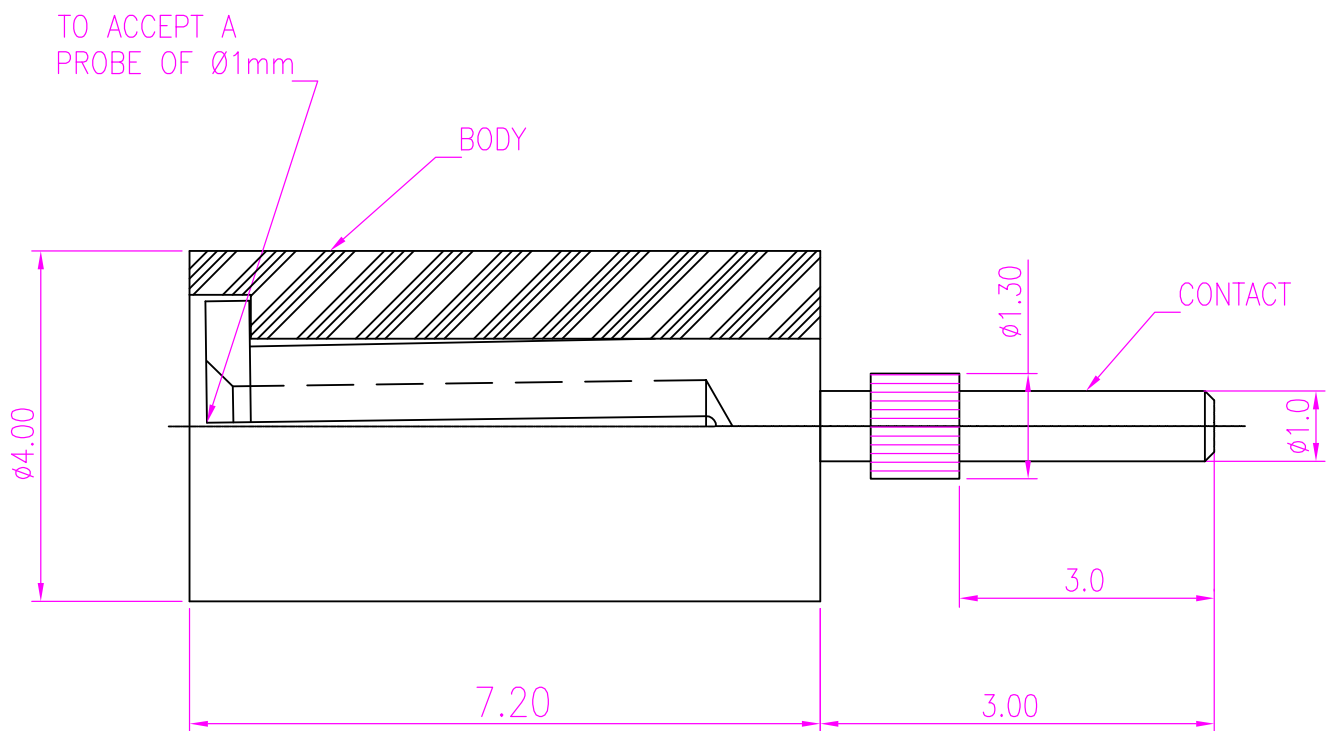
TEMPERATURE RANGE	:	-25°C TO +70°C
-------------------	---	----------------



PROTECTRON ELECTROMECH (P) LTD

DESCRIPTION : 1 mm PCB MOUNTING INSULATED
L=3.0mm

PART NO: P8101-1X-1X-S
1st X=TYPE OF COLOR
2nd X=TYPE OF PLATING



A	ORIGINAL			SAMSON	15.07.2001	
REV.	DESCRIPTION			BY	DATE	APP'D BY
Projection: 		Scale: NTS	Sht. Size: A4	Gen. Tol.: ±0.35mm	ALL DIMENSIONS ARE IN MM. IF UNLESS OTHERWISE SPECIFIED.	



PROTECTRON ELECTROMECH (P) LTD

DESCRIPTION : 1 mm PCB MOUNTING INSULATED
L=3.0mm

PART NO: P8101-1X-1X-S
1st X=TYPE OF COLOR
2nd X=TYPE OF PLATING

ORDERING INFORMATION

P8101-1X-1X-S

TYPE OF COLOR	
BLACK	0
BROWN	1
RED	2
ORANGE	3
YELLOW	4
GREEN	5
BLUE	6
VIOLET	7
GREY	8
WHITE	9

TYPE OF PLATING	
SILVER PLATING	1
GOLD PLATING	2

MATES WITH

P8003, P8005
P8005, P8006

MOQ- 2500 MIN
SPQ- 2500 PER PACK