



# PROTECTRON ELECTROMECH (P) LTD

DESCRIPTION : PC MOUNT HOLDER FOR SUB MINIATURE FUSES  
PR SERIES

PART NO: P805R-02-11-X  
X=1=3.0mm. X=2=4.30mm



## PHYSICAL

INSULATOR BODY : BLACK THERMOPLASTIC, UL94V-0, POLYBUTYLENTEREPTHALAT PBTP  
CONTACT OUTER SLEEVE : SCREW MACHINED, BRASS, TIN PLATED  
INNER CLIP : BERYLLIUM-COPPER, GOLD PLATED  
PACKING : BULK

## ELECTRICAL

RATED VOLTAGE : 250 V  
MAX. CURRENT/POWER : 6.3A/1.6W

## MECHANICAL

MECHANICAL LIFE : 50 CYCLES MIN  
INSERTION FORCE : <2 N WITH STEEL PIN DIA 0.41  
EXTRACTION FORCE : >0.5 N WITH STEEL PIN DIA 0.41  
UNIT WEIGHT : 0.4gms

### ORDERING INFORMATION

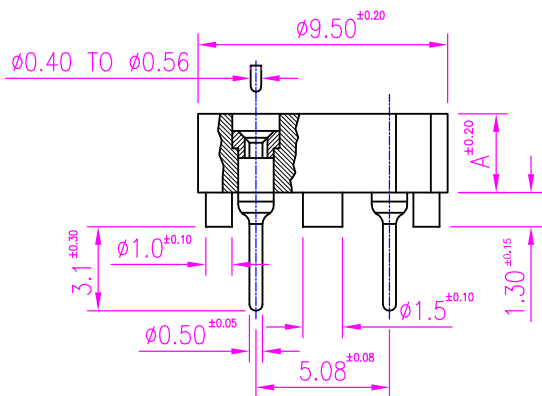
P805R-02-11-X  
X=1=3.0mm. X=2=4.30mm



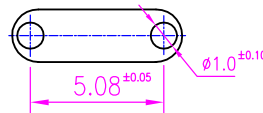
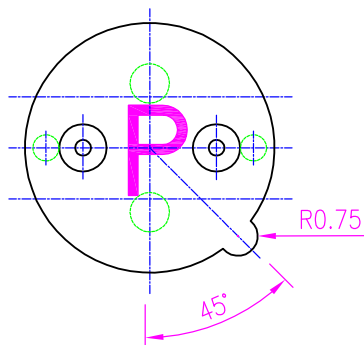
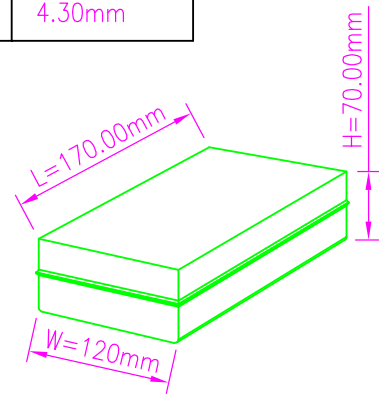
# PROTECTRON ELECTROMECH (P) LTD

DESCRIPTION : PC MOUNT HOLDER FOR SUB MINIATURE FUSES  
PR SERIES

PART NO: P805R-02-11-X  
X=1=3.0mm. X=2=4.30mm



A	CODE HEIGHT
1	3.0mm
2	4.30mm



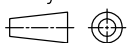
SCHEMATIC REPRESENTATION OF PACKING BOX.  
PACKING INSTRUCTIONS:

1. 100nos TO BE PACKED IN POLYTHENE COVER.
2. 100no's 10PACKETS SHOULD BE PLACED IN PLASTIC BOX.

A5	PACKING DETAILS UPDATED	VISHWA.P	17.05.2014		
A4	TAIL LENGHT CHANGED FROM 3.00 TO 3.10mm, TOLERANCES CHANGED	SACHIN	20.12.2011		
A3	RoHS COMPLIANCE ADDED	SACHIN	06.03.2006		
A2	TOLERANCES ADDED	SACHIN	15.09.2004		
A1	MECHANICAL DATA ADDED, TOL. TO 5.08 ADDED, MATING PIN ADDED.	SACHIN	10.08.2004		
A	ORIGINAL	SACHIN	07.11.2003		

REV.	DESCRIPTION	DRN. BY	DATE	CK'ED BY	APP'D BY
------	-------------	---------	------	----------	----------

Projection:



Scale: NTS

Sht. Size: A4

Gen. Tol.:  $\pm 0.1\text{mm}$   
 $\pm 0.2^\circ$

ALL DIMENSIONS ARE IN MM.  
IF UNLESS OTHERWISE SPECIFIED.

<http://www.protectron.in>

[protectron@protectron.in](mailto:protectron@protectron.in)