



PROTECTRON ELECTROMECH (P) LTD

DESCRIPTION : TYPICAL ASSEMBLY OF 15A TERMINAL BLOCK,
SCREW TYPE DOUBLE ROW

PART NO: P8047-50-1FXX
XX=NO OF TERMINALS

RoHS



PHYSICAL

INSULATION

MATERIAL	:	GLASS FILLED THERMOPLASTIC POLYESTER
TERMINAL LUGS	:	BRASS, 3 μ TIN PLATED OVER COPPER FLASH
PACKAGING TYPE	:	BULK PACKING

ELECTRICAL

CURRENT RATING	:	15A
INSULATION RESISTANCE	:	1000M OHMS MIN
RATED VOLTAGE	:	300V AC (rms) MAX
VOLTAGE PROOF	:	2000V AC (rms)

ENVIRONMENTAL DATA

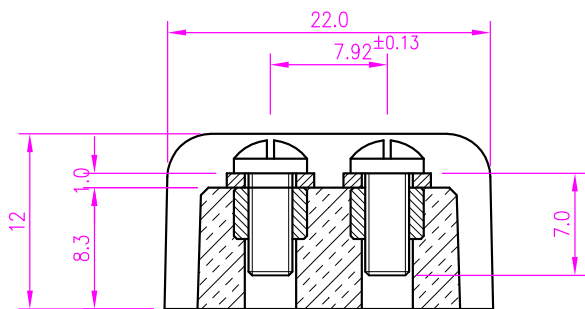
TEMPERATURE RANGE	:	-65°C TO +125°C
DAMP HEAT SEVERITY	:	H13



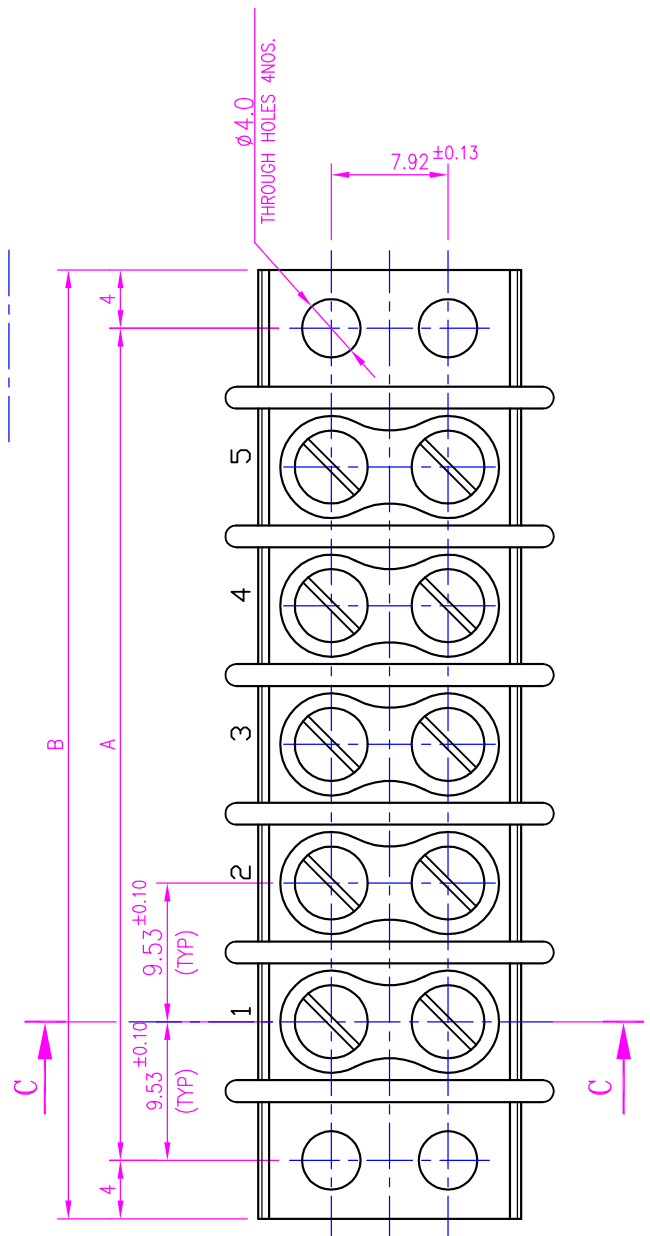
PROTECTRON ELECTROMECH (P) LTD

DESCRIPTION : TYPICAL ASSEMBLY OF 15A TERMINAL BLOCK,
SCREW TYPE DOUBLE ROW

PART NO: P8047-50-1FXX
XX=NO OF TERMINALS



SECTION A-A



A	ORIGINAL			SAMSON	14.09.2001		
REV.		DESCRIPTION		DRN BY	DATE	CK'ED BY	APP'D BY
Projection: 		Scale: NTS	Sht. Size: A4	Gen. Tol.: ±0.35mm	ALL DIMENSIONS ARE IN MM. IF UNLESS OTHERWISE SPECIFIED.		



PROTECTRON ELECTROMECH (P) LTD

DESCRIPTION : TYPICAL ASSEMBLY OF 15A TERMINAL BLOCK,
SCREW TYPE DOUBLE ROW

PART NO: P8047-50-1FXX
XX=NO OF TERMINALS

ORDERING INFORMATION

P8047-50-1FXX

NO OF TERMINALS

SL.NO.	NO. OF TERMINALS	A ^{±0.40}	B ^{±0.40}	PROTECTRON PART NUMBER
1	2	28.58	36.12	P8047-50-1F02
2	3	38.1	45.64	P8047-50-1F03
3	4	47.63	55.17	P8047-50-1F04
4	5	57.15	65.07	P8047-50-1F05
5	6	66.68	74.63	P8047-50-1F06
6	7	76.2	84.12	P8047-50-1F07
7	8	85.73	93.68	P8047-50-1F08
8	9	95.66	103.17	P8047-50-1F09
9	10	105.18	112.73	P8047-50-1F10
10	11	114.76	122.22	P8047-50-1F11
11	12	124.23	131.78	P8047-50-1F12
12	13	133.76	141.27	P8047-50-1F13
13	14	143.28	150.83	P8047-50-1F14
14	15	152.81	160.32	P8047-50-1F15
15	16	162.33	169.88	P8047-50-1F16
16	17	171.86	179.43	P8047-50-1F17
17	18	181.38	188.93	P8047-50-1F18
18	19	190.91	198.83	P8047-50-1F19
19	20	200.8	208.36	P8047-50-1F20

MOQ- 250 MIN

SPQ- 250 PER PACK