



PROTECTRON ELECTROMECH (P) LTD

DESCRIPTION : 2.03mm JACK TIP VERTICAL

PART NO: P8025B3X-3K
X=COLOR OF INSULATOR

RoHS



PHYSICAL

MATERIAL	:	
CONTACT	:	BERYLLIUM COPPER, GOLD FLASH OVER SILVER PLATING
INSULATOR	:	TEFLON
PACKAGING TYPE	:	BULK PACKING

ELECTRICAL

CURRENT RATING	:	5.5A
VOLTAGE RATING	:	800V
CONTACT RESISTANCE	:	4m OHMS MAX
DIELECTRIC WITHSTANDING	:	1000V rms

MECHANICAL DATA

INSERTION FORCE	:	2.2kg MAX
EXTRACTION FORCE	:	0.18kg MIN

ENVIRONMENTAL DATA

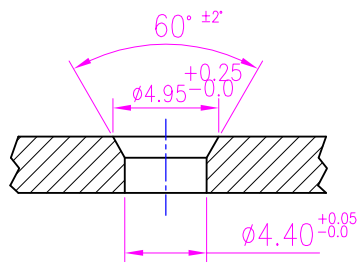
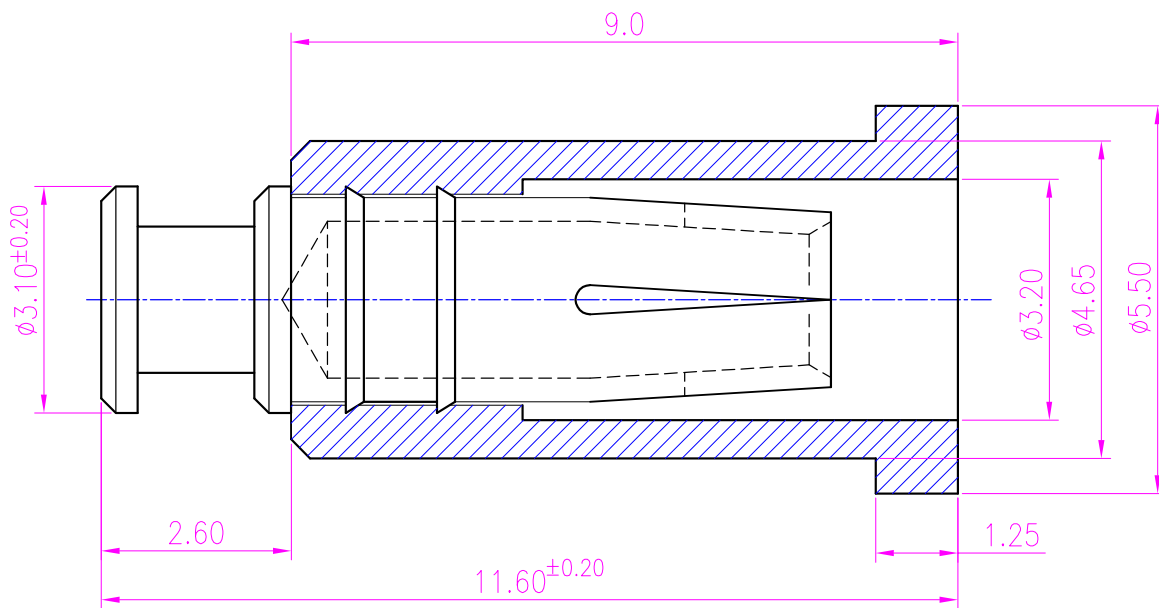
TEMPERATURE RANGE	:	-65°C TO +85°C
-------------------	---	----------------



PROTECTRON ELECTROMECH (P) LTD

DESCRIPTION : 2.03mm JACK TIP VERTICAL

PART NO: P8025B3X-3K
X=COLOR OF INSULATOR



MOUNTING DETAILS

REV.	DESCRIPTION	DRN BY	DATE	CK'ED BY	APP'D BY
A1	MOUNTING HOLE DIMENSIONS CHANGED.	SACHIN	13.10.2003	SAVITA	
A	ORIGINAL	SACHIN	13.10.2003		

Projection: 	Scale: 4:1	Sht. Size: A4	Gen. Tol.: ±0.35mm	ALL DIMENSIONS ARE IN MM. IF UNLESS OTHERWISE SPECIFIED.
-----------------	------------	---------------	--------------------	---



PROTECTRON ELECTROMECH (P) LTD

DESCRIPTION : 2.03mm JACK TIP VERTICAL

PART NO: P8025B3X-3K
X=COLOR OF INSULATOR

ORDERING INFORMATION

P8025B3X-3K

COLOR OF INSULATOR

COLOUR	PART NUMBER
	GOLD PLATED
BLACK	P8025B30-3K
BROWN	P8025B31-3K
RED	P8025B32-3K
ORANGE	P8025B33-3K
YELLOW	P8025B34-3K
GREEN	P8025B35-3K
BLUE	P8025B36-3K
VIOLET	P8025B37-3K
GREY	P8025B38-3K
WHITE	P8025B39-3K

MOQ- 2500 MIN

SPQ- 2500 PER PACK