



PROTECTRON ELECTROMECH (P) LTD

DESCRIPTION : 4mm PANEL MOUNTING SINGLE CONTACT

PART NO: P8023-XX-23
1st X=MATERIAL OF INSULATOR
2nd X=COLOR OF INSULATOR

RoHS



PHYSICAL

MATERIAL

INSULATOR BODY	:	POLYPROPYLENE/NYLON
CONTACT	:	PHOSPHOR BRONZE, GOLD PLATED
NUT	:	BRASS, NICKEL PLATED
WASHER	:	BRASS, NICKEL PLATED
PACKAGING TYPE	:	BULK PACKING

ELECTRICAL

CONTACT RESISTANCE	:	2m OHMS MAX
INSULATION RESISTANCE	:	1000M OHMS MIN
DIELECTRIC WITHSTANDING VOLTAGE RATING	:	1500V RMS
CURRENT RATING	:	750V AC PEAK
	:	10A

MECHANICAL DATA

INSERTION FORCE	:	1.0kg MAX
EXTRACTION FORCE	:	0.50kg MIN

ENVIRONMENTAL DATA

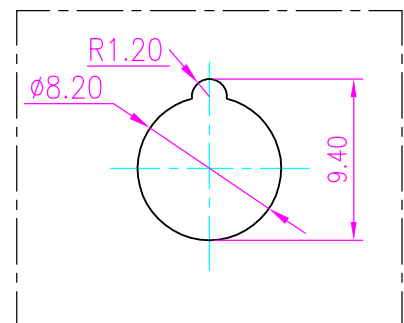
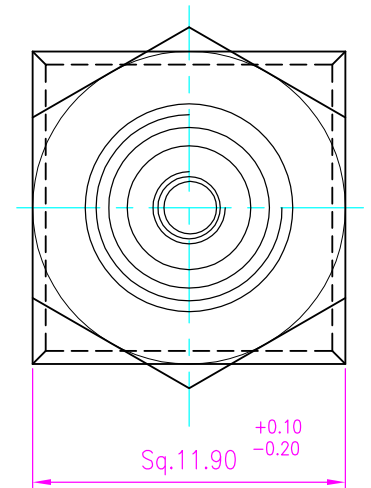
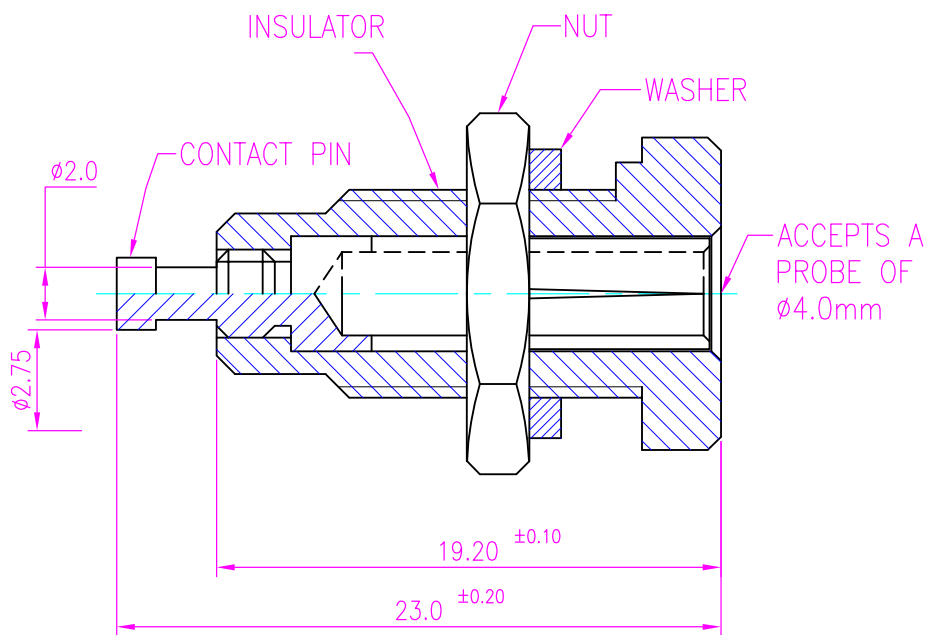
TEMPERATURE RANGE	:	-40°C TO +85°C
-------------------	---	----------------



PROTECTRON ELECTROMECH (P) LTD

DESCRIPTION : 4mm PANEL MOUNTING SINGLE CONTACT

PART NO: P8023-XX-23
 1st X=MATERIAL OF INSULATOR
 2nd X=COLOR OF INSULATOR



MOUNTING DETAILS

A	ORIGINAL		SACHIN	23.06.2003		
REV.	DESCRIPTION			BY	DATE	APP'D BY
Projection: 		Scale: NTS	Sht. Size: A4	Gen. Tol.: ±0.35mm	ALL DIMENSIONS ARE IN MM. IF UNLESS OTHERWISE SPECIFIED.	



PROTECTRON ELECTROMECH (P) LTD

DESCRIPTION : 4mm PANEL MOUNTING SINGLE CONTACT

PART NO: P8023-XX-23
1st X=MATERIAL OF INSULATOR
2nd X=COLOR OF INSULATOR

ORDERING INFORMATION

P8023-XX-23

MATERIAL OF INSULATOR

COLOR OF INSULATOR

COLOUR	PART NUMBER	
	FOR NYLON GOLD PLATED	FOR POLYPROPYLENE GOLD PLATED
BLACK	P8023-20 -23	P8023-10 -23
BROWN	P8023-21 -23	P8023-11 -23
RED	P8023-22 -23	P8023-12 -23
ORANGE	P8023-23 -23	P8023-13 -23
YELLOW	P8023-24 -23	P8023-14 -23
GREEN	P8023-25 -23	P8023-15 -23
BLUE	P8023-26 -23	P8023-16 -23
VIOLET	P8023-27 -23	P8023-17 -23
GREY	P8023-28 -23	P8023-18 -23
WHITE	P8023-29 -23	P8023-19 -23

MOQ- 2500 MIN

SPQ- 2500 PER PACK