

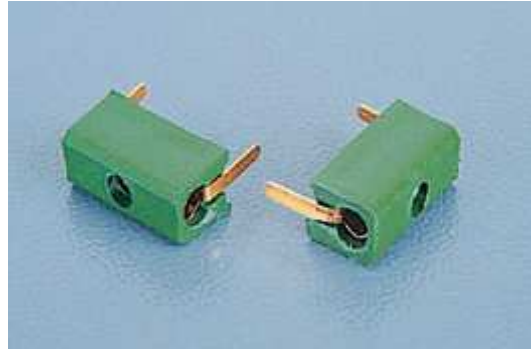


PROTECTRON ELECTROMECH (P) LTD

DESCRIPTION : TOP AND SIDE ENTRY JACK TIP
(TEST POINT) ϕ 2.03mm

PART NO: P8020-1X-3X-T
1st X=TYPE OF COLOR
2nd X=TYPE OF PLATING

RoHS



PHYSICAL

MATERIAL	:	
INSULATOR BODY	:	POLYPROPYLENE
CONTACT	:	BERYLLIUM COPPER
FINISH	:	GOLD/SILVER PLATED
PACKAGING TYPE	:	BULK PACKING

ELECTRICAL

CONTACT RESISTANCE	:	5m OHMS MAX
INSULATION RESISTANCE	:	10000M OHMS MIN
DIELECTRIC WITHSTANDING	:	2500V RMS
VOLTAGE RATING	:	600V
CURRENT RATING	:	4A

MECHANICAL DATA

INSERTION FORCE	:	2.2 Kgs. Max.
WITHDRAWALL FORCE	:	0.22 Kgs. Min.

ENVIRONMENTAL DATA

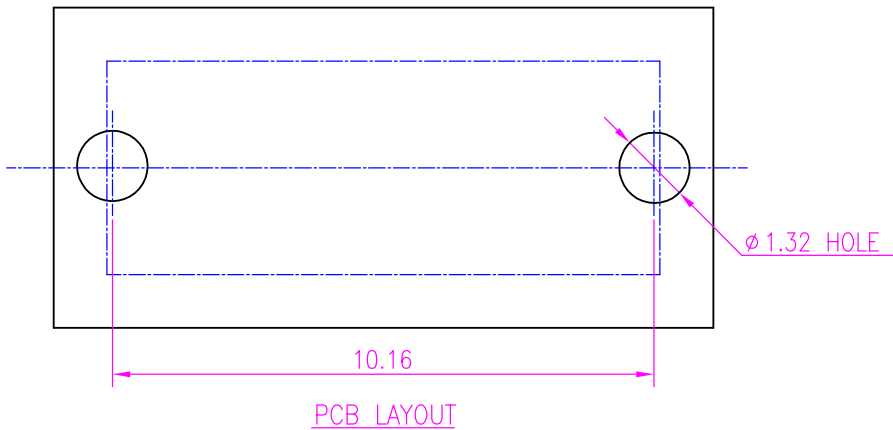
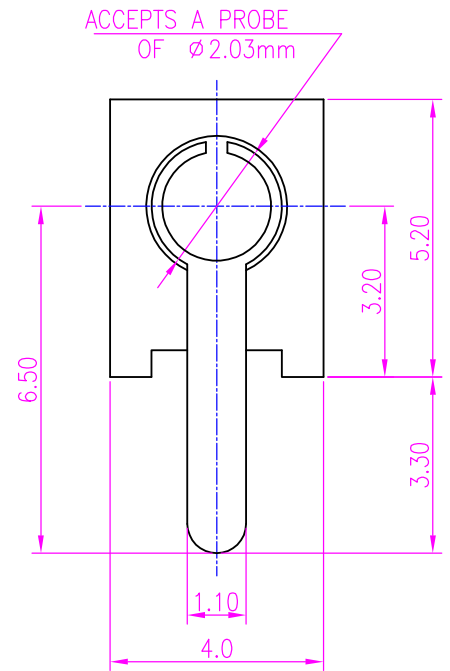
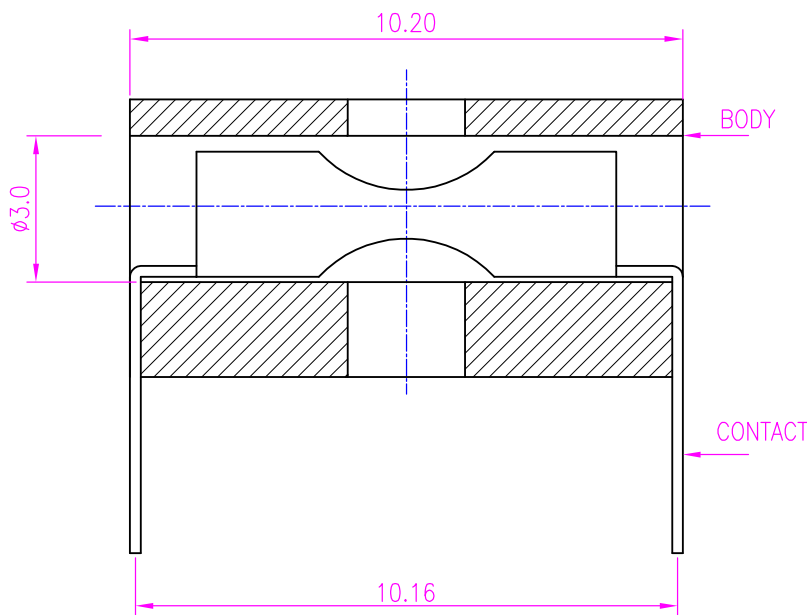
TEMPERATURE RANGE	:	-40°C TO +70°C
-------------------	---	----------------



PROTECTRON ELECTROMECH (P) LTD

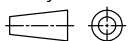
DESCRIPTION : TOP AND SIDE ENTRY JACK TIP
(TEST POINT) $\phi 2.03\text{mm}$

PART NO: P8020-1X-3X-T
1st X=TYPE OF COLOR
2nd X=TYPE OF PLATING



A	ORIGINAL	SACHIN	20.11.2004	SAVITA	
REV.	DESCRIPTION	BY	DATE	CK'ED BY	APP'D BY

Projection:



Scale: NTS

Sht. Size: A4

Gen. Tol.: $\pm 0.35\text{mm}$

ALL DIMENSIONS ARE IN MM.
IF UNLESS OTHERWISE SPECIFIED.



PROTECTRON ELECTROMECH (P) LTD

DESCRIPTION : TOP AND SIDE ENTRY JACK TIP
(TEST POINT) ϕ 2.03mm

PART NO: P8020-1X-3X-T
1st X=TYPE OF COLOR
2nd X=TYPE OF PLATING

ORDERING INFORMATION

P8020-1X-3X-T

TYPE OF COLOR	
BLACK	0
BROWN	1
RED	2
ORANGE	3
YELLOW	4
GREEN	5
BLUE	6
VIOLET	7
GREY	8
WHITE	9

PLATING	
GOLD PLATED	1
SILVER PLATED	2

MOQ- 2500 MIN
SPQ- 2500 PER PACK