

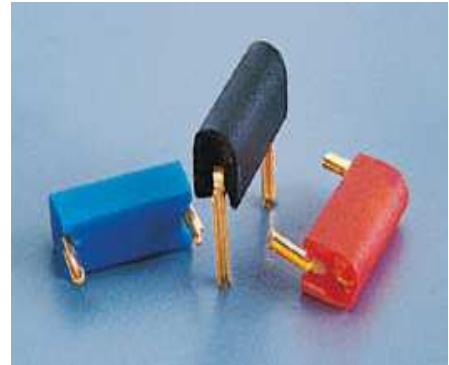


PROTECTRON ELECTROMECH (P) LTD

**DESCRIPTION : HORIZONTAL JACK TIP (TEST POINT)
FOR Ø2.03mm**

PART NO: P8020-1X-3X-X
1st X=TYPE OF COLOR
2nd X=TYPE OF PLATING
3rd X=TAIL LENGTH

RoHS



PHYSICAL

MATERIAL	:	
INSULATOR BODY	:	POLYPROPYLENE
CONTACT	:	BERYLLIUM COPPER
FINISH	:	GOLD/SILVER PLATED
PACKAGING TYPE	:	BULK PACKING

ELECTRICAL

CONTACT RESISTANCE	:	5m OHMS MAX
INSULATION RESISTANCE	:	10000M OHMS MIN
DIELECTRIC WITHSTANDING	:	2500V RMS
VOLTAGE RATING	:	600V
CURRENT RATING	:	4A

MECHANICAL DATA

INSERTION FORCE	:	2.2kg MAX
EXTRACTION FORCE	:	0.22kg MIN

ENVIRONMENTAL DATA

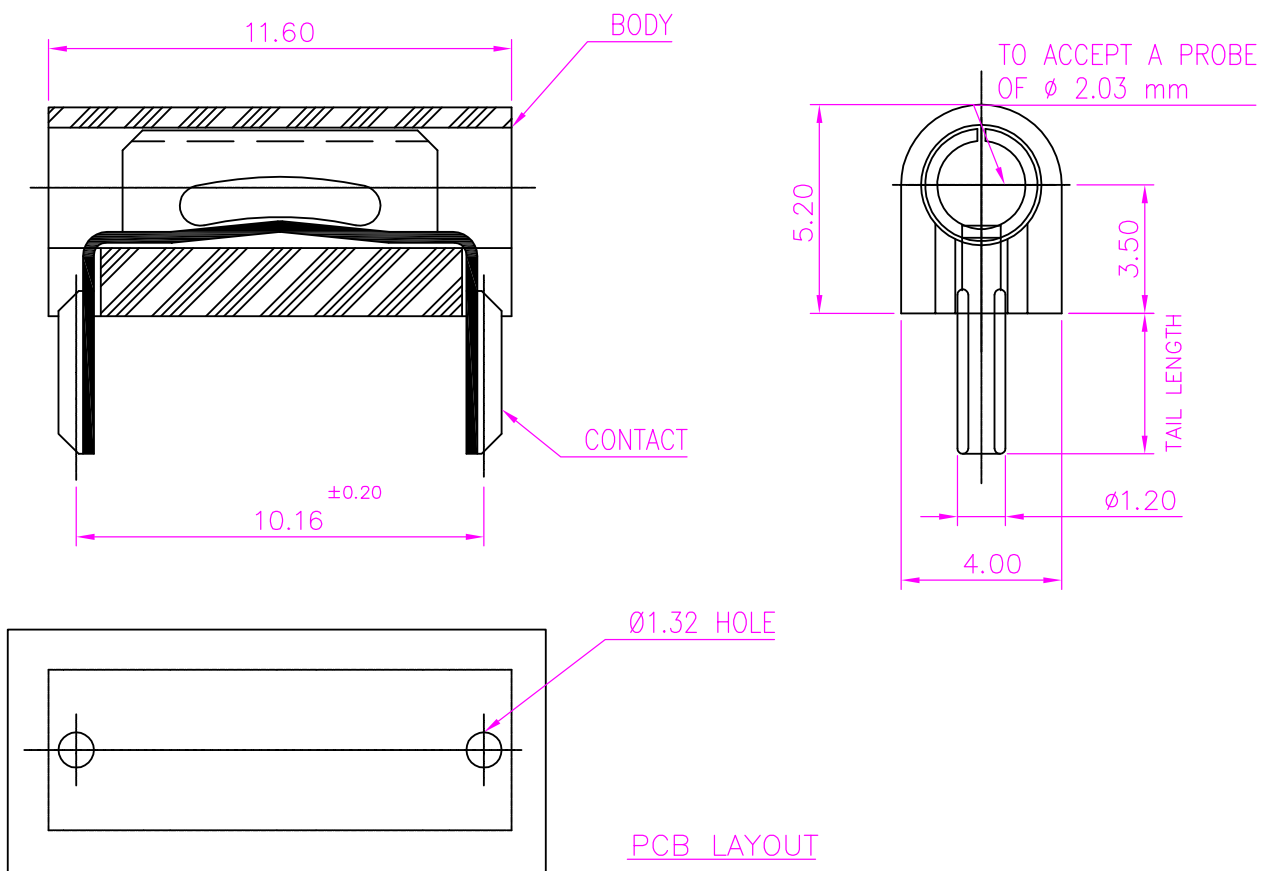
TEMPERATURE RANGE	:	-40°C TO +70°C
-------------------	---	----------------



PROTECTRON ELECTROMECH (P) LTD

DESCRIPTION : HORIZONTAL JACK TIP (TEST POINT)
FOR Ø2.03mm

PART NO: P8020-1X-3X-X
1st X=TYPE OF COLOR
2nd X=TYPE OF PLATING
3rd X=TAIL LENGTH



A	ORIGINAL		SACHIN	20..09.2005		
REV.	DESCRIPTION			BY	DATE	APP'D BY
Projection: 		Scale: NTS	Sht. Size: A4	Gen. Tol.: ±0.35mm	ALL DIMENSIONS ARE IN MM. IF UNLESS OTHERWISE SPECIFIED.	



PROTECTRON ELECTROMECH (P) LTD

DESCRIPTION : HORIZONTAL JACK TIP (TEST POINT)
FOR Ø2.03mm

PART NO: P8020-1X-3X-X
1st X=TYPE OF COLOR
2nd X=TYPE OF PLATING
3rd X=TAIL LENGTH

ORDERING INFORMATION

P8020-1X-3X-X

TYPE OF COLOR	
BLACK	0
BROWN	1
RED	2
ORANGE	3
YELLOW	4
GREEN	5
BLUE	6
VIOLET	7
GREY	8
WHITE	9

TAIL LENGTH	
X	LENGTH
0	3.50mm
L	5.56mm

PLATING	
Ag 5μ	1
Ni5 Au0.5μ	3
Ni2 Au0.75μ	4
SELECTIVE	B

MOQ- 2500 MIN
SPQ- 2500 PER PACK