



PROTECTRON ELECTROMECH (P) LTD

DESCRIPTION : PANEL SOCKET 1.5mm INSULATED

PART NO: P8010-1X-3X
X=CAP COLOR
X=PLATING

RoHS



PHYSICAL

MATERIAL

CONTACT	:	BERYLLIUM COPPER GOLD PLATED
BODY	:	POLYBUTYLENE TEAPHTHALATE(PBT)
CAP	:	POLYPROPYLENE
RING NUT	:	BRASS, NICKEL PLATED
PACKAGING TYPE	:	BULK PACKING

ELECTRICAL

CURRENT RATING	:	4A
INSULATION RESISTANCE	:	10000M OHMS MIN
DIELECTRIC WITHSTANDING	:	250V AC/DC
CONTACT RESISTANCE	:	5m OHMS MAX

MECHANICAL DATA

FIXING TORQUE FOR MOUNTING	:	20Ncm max
MOUNTING HOLES	:	FLOAT MOUNT- \varnothing 5.7hole/RIGID MOUNT- \varnothing 5.7X4.8

ENVIRONMENTAL DATA

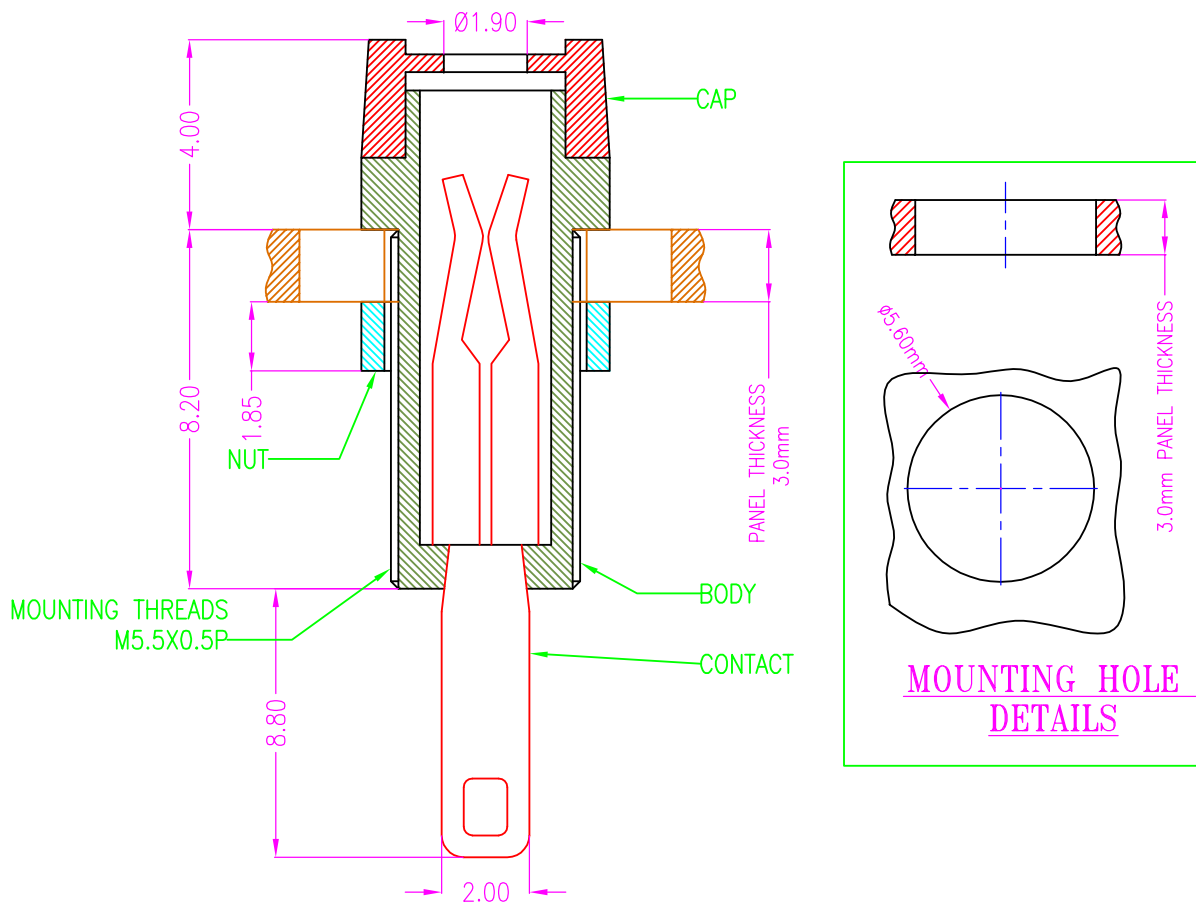
TEMPERATURE RANGE	:	-25°C TO +70°C
-------------------	---	----------------



PROTECTRON ELECTROMECH (P) LTD

DESCRIPTION : PANEL SOCKET 1.5mm INSULATED

PART NO: P8010-1X-3X
 X=CAP COLOR
 X=PLATING



REV.	A1	GOLD FLASH PLATING SERIES ADDED	SAMSON	10.10.2000		
	A	ORIGINAL	J J	17.09.1998		
		DESCRIPTION	DRN BY	DATE	CKED BY	APP'D BY

Projection: 	Scale: NTS	Sht. Size: A4	Gen. Tol.: ±0.1mm ±1°	ALL DIMENSIONS ARE IN MM. IF UNLESS OTHERWISE SPECIFIED.
-----------------	------------	---------------	--------------------------	---

<http://www.protectron.in>
 protectron@protectron.in



PROTECTRON ELECTROMECH (P) LTD

DESCRIPTION : PANEL SOCKET 1.5mm INSULATED

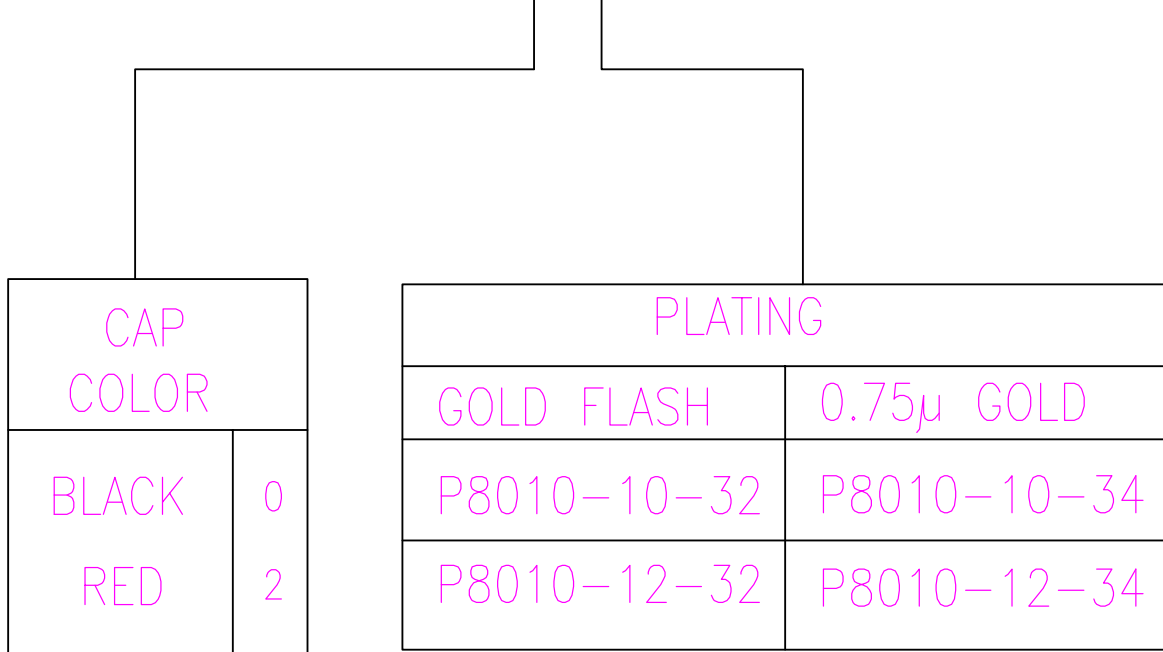
PART NO: P8010-1X-3X

X=CAP COLOR

X=PLATING

ORDERING INFORMATION

P8010-1X-3X



MOQ- 2500 MIN

SPQ- 2500 PER PACK