



PROTECTRON ELECTROMECH (P) LTD

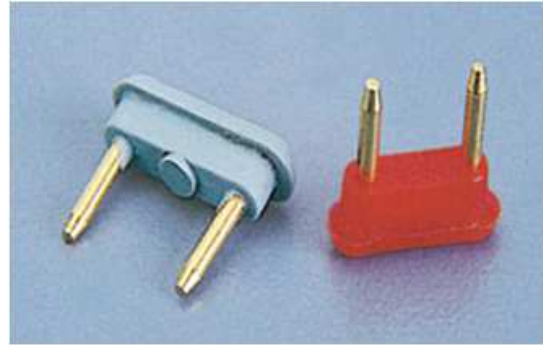
DESCRIPTION : SHORTING LINK 1mm INSULATED

P8005-1X-1X-1

1st X=COLOR

2nd X=PLATING

RoHS



PHYSICAL

INSULATOR BODY : POLYPROPYLENE
CONTACT : BRASS
PACKAGING TYPE : BULK PACKING

ELECTRICAL

CURRENT RATING : 5A

ENVIRONMENTAL DATA

TEMPERATURE RANGE : -25°C TO +70°C



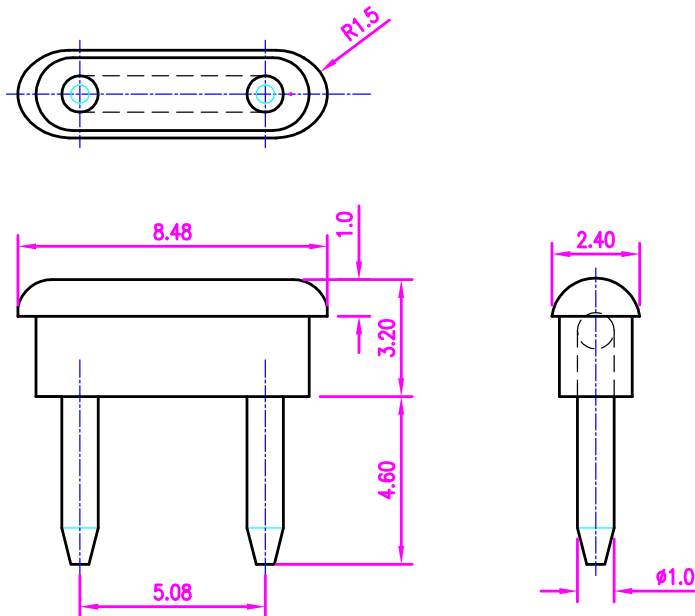
PROTECTRON ELECTROMECH (P) LTD

DESCRIPTION : SHORTING LINK 1mm INSULATED

P8005-1X-1X-1

1st X=COLOR

2nd X=PLATING



MATING CONNECTORS

P8001 P8002
P8101 P8102
P8202

ORDERING INFORMATION

P8005-1X-1X-1

| | | | |
|-------|---|----------------|---|
| COLOR | X | PLATING | X |
| RED | 2 | SILVER PLATING | 1 |
| GREY | 8 | GOLD PLATING | 2 |

MOQ- 2500 MIN

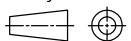
SPQ- 2500 PER PACK

A ORIGINAL

SIDDU 26.04.2007

REV. DESCRIPTION BY DATE APP'D BY

Projection:



Scale: NTS

Sht. Size: A4

Gen. Tol.: ±0.35mm

ALL DIMENSIONS ARE IN MM.
IF UNLESS OTHERWISE SPECIFIED.

<http://www.protectron.in>

protectron@protectron.in

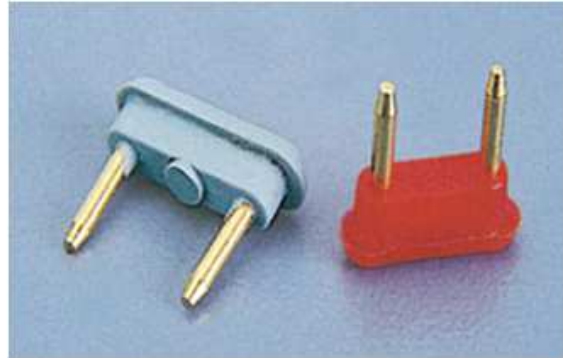


PROTECTRON ELECTROMECH (P) LTD

DESCRIPTION : SHORTING LINK 1mm, INSULATED 6.35mm PITCH

P8005-1X-1X-2
1st X=COLOR
2nd X=PLATING

RoHS



PHYSICAL

INSULATOR BODY : POLYPROPYLENE
CONTACT : BRASS
PACKAGING TYPE : BULK PACKING

ELECTRICAL

CURRENT RATING : 5A

ENVIRONMENTAL DATA

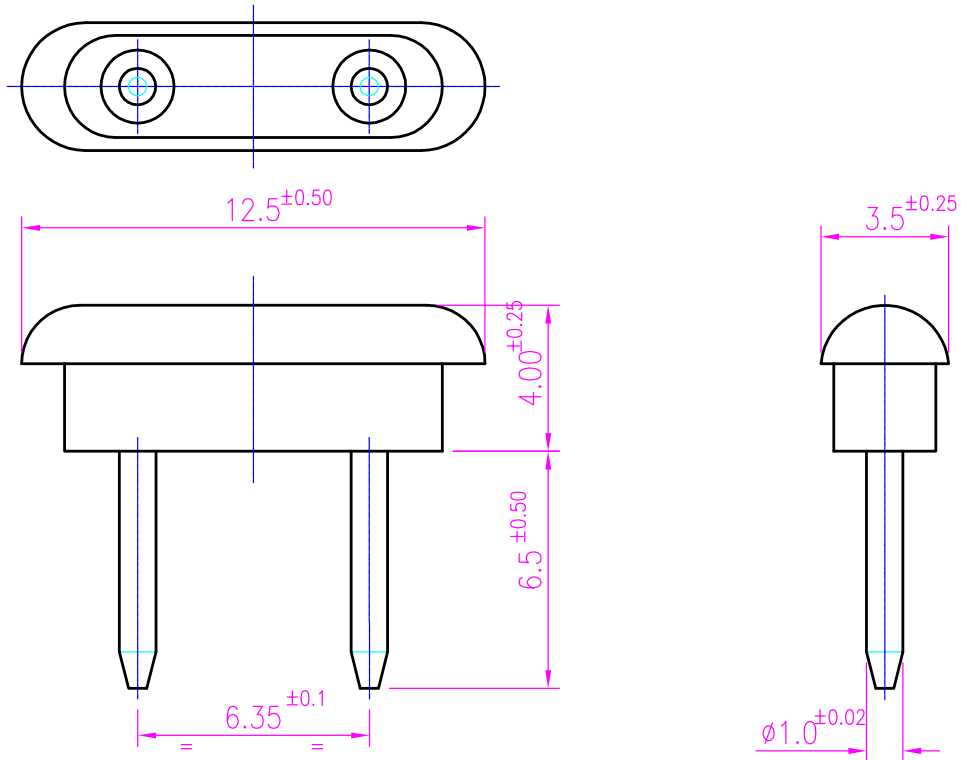
TEMPERATURE RANGE : -25°C TO +70°C



PROTECTRON ELECTROMECH (P) LTD

DESCRIPTION : SHORTING LINK 1mm, INSULATED 6.35mm PITCH

P8005-1X-1X-2
1st X=COLOR
2nd X=PLATING



MATING CONNECTORS

P8001 P8002
P8101 P8102

ORDERING INFORMATION

P8005-1X-1X-2

| COLOR | X |
|-------|---|
| RED | 2 |
| GREY | 8 |

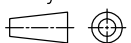
| PLATING | X |
|----------------|---|
| SILVER PLATING | 1 |
| GOLD PLATING | 2 |

MOQ- 2500 MIN

SPQ- 2500 PER PACK

| REV. | DESCRIPTION | DRN BY | DATE | CKED BY | APP'D BY |
|------|--------------------------------------------|---------|------------|---------|----------|
| A3 | LEG HEIGHT IS CHANGED FROM 4.6 TO 6.50mm | KEERTHI | 17.01.2012 | | |
| A2 | COMPONENT BODY DIMENSIONS ARE CHANGED. | SAMSON | 20.11.2001 | | |
| A1 | REMOVED PITCH OPTION IN PART NUMBER TABLE. | SAMSON | 20.10.2001 | | |
| A | ORIGINAL | SAMSON | 14.03.2000 | | |

Projection:



Scale: NTS

Sht. Size: A4

Gen. Tol.: ±0.2mm
±1°

ALL DIMENSIONS ARE IN MM.
IF UNLESS OTHERWISE SPECIFIED.



PROTECTRON ELECTROMECH (P) LTD

DESCRIPTION : SHORTING LINK 1mm, NON INSULATED

P8005-00-1X-X
1st X=PLATING
2nd X=PITCH

RoHS



PHYSICAL

CONTACT : BRASS
FINISH : GOLD/ SILVER PLATED
PACKAGING TYPE : BULK PACKING

ELECTRICAL

CURRENT RATING : 5A

ENVIRONMENTAL DATA

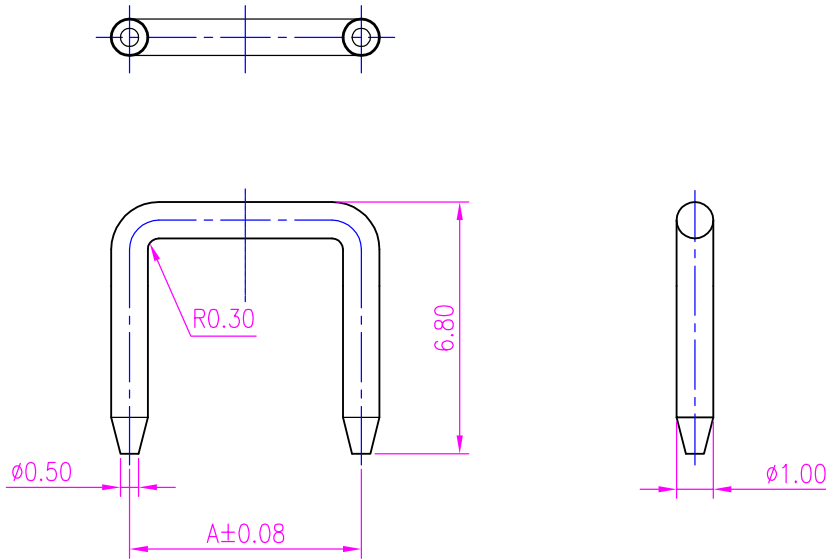
TEMPERATURE RANGE : -25°C TO +70°C



PROTECTRON ELECTROMECH (P) LTD

DESCRIPTION : SHORTING LINK 1mm, NON INSULATED

P8005-00-1X-X
 1st X=PLATING
 2nd X=PITCH



MATING CONNECTORS

P8001 P8002
 P8101 P8102
 P8202

ORDERING INFORMATION

P8005-00-1X-X

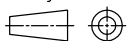
| PLATING | X |
|----------------|---|
| SILVER PLATING | 1 |
| GOLD PLATING | 2 |

| PITCH | X |
|-----------|---|
| A=5.08mm | 1 |
| A=6.35mm | 2 |
| A=10.16mm | 3 |
| A=12.70mm | 4 |

MOQ- 2500 MIN
 SPQ- 2500 PER PACK

| | | | | | |
|------|-------------|--------|------------|------|------------------|
| A | ORIGINAL | SACHIN | 29.05.2003 | | |
| REV. | DESCRIPTION | | DRN BY | DATE | CKED BY APP'D BY |

Projection:



Scale: NTS

Sht. Size: A4

Gen. Tol.: ±0.35mm

ALL DIMENSIONS ARE IN MM.
 IF UNLESS OTHERWISE SPECIFIED.