



PROTECTRON ELECTROMECH (P) LTD

DESCRIPTION : 1mm CONNECTOR JACK NON-INSULATED

PART NO: P8002-1X-32-X

1st X=TYPE OF PLATING

2nd X=0 OR L

RoHS



PHYSICAL

MATERIAL

INNER CLIP : BERYLLIUM COPPER, GOLD PLATED
OUTER SLEEVE : BRASS, SILVER/GOLD/TIN PLATED

PACKAGING TYPE : BULK PACKING

ELECTRICAL

CONTACT RESISTANCE : 5m OHMS MAX
CURRENT RATING : 3A MAX

MECHANICAL DATA

INSERTION FORCE : 0.45kg MAX
EXTRACTION FORCE : 0.056kg MIN
MOUNTING HOLE DIA IN PCB : ϕ 2.2mm

ENVIRONMENTAL DATA

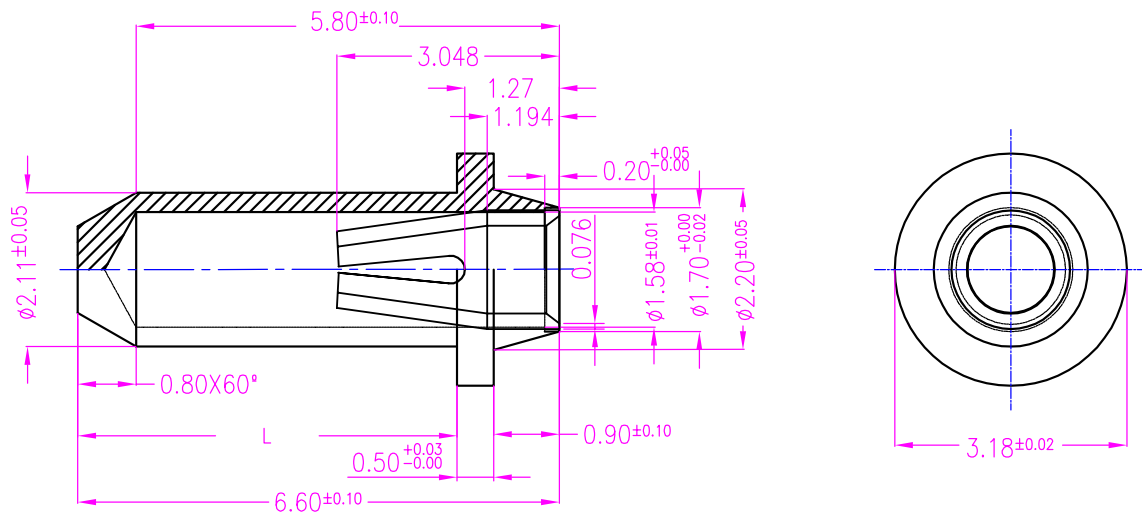
TEMPERATURE RANGE : -25°C TO +70°C



PROTECTRON ELECTROMECH (P) LTD

DESCRIPTION : 1mm CONNECTOR JACK NON-INSULATED

PART NO: P8002-1X-32-X
1st X=TYPE OF PLATING
2nd X=0 OR L



A2	INNER DIAMETER IS CHANGED	RAVISH.S	28.07.2010
A1	CLIP DESIGN CHANGED	SAVITHA	18.03.2000
A	ORIGINAL		07.09.1999
REV.	DESCRIPTION	DRG REV BY	DATE

Projection: 	Scale: NTS	Sht. Size: A4	Gen. Tol.: ±0.1mm ±0.2°	ALL DIMENSIONS ARE IN MM. IF UNLESS OTHERWISE SPECIFIED.
-----------------	------------	---------------	----------------------------	---



PROTECTRON ELECTROMECH (P) LTD

DESCRIPTION : 1mm CONNECTOR JACK NON-INSULATED

PART NO: P8002-1X-32-X

1st X=TYPE OF PLATING

2nd X=0 OR L

ORDERING INFORMATION

P8002-1X-32-X

TYPE OF PLATING

0 OR L

FINISH	PART NUMBER	
	FOR L=5.2mm	FOR L=7.2mm
SILVER PLATED	P8002-11-32-0	P8002-11-32-L
GOLD PLATED	P8002-12-32-0	P8002-12-32-L
TIN PLATED	P8002-19-32-0	P8002-19-32-L

MATES WITH

P8003, P8005

MOQ- 2500 MIN

SPQ- 2500 PER PACK