

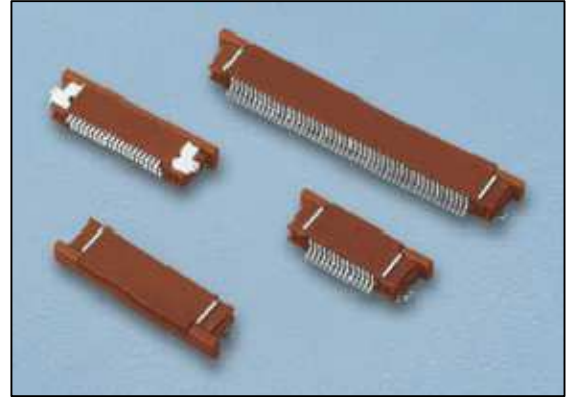


PROTECTRON ELECTROMECH (P) LTD

DESCRIPTION : FPC 0.5mm PITCH CONNECTORS HORIZONTAL
TYPE, TOP CONTACT

PART NO: P7065T21-24XX-X
(SEE TABLE)

RoHS



PHYSICAL

INSULATOR BODY : GLASS FIBER NYLON, UL94V-0
CONTACTS : PHOSPHOR BRONZE, TIN PLATED
PACKAGING TYPE : TUBE/ TAPE AND REEL

ELECTRICAL

CURRENT RATING : 0.4A
INSULATION RESISTANCE : 1000M OHMS MIN
DIELECTRIC WITHSTANDING : 200V AC/MIN
CONTACT RESISTANCE : 30m OHMS MAX

ENVIRONMENTAL DATA

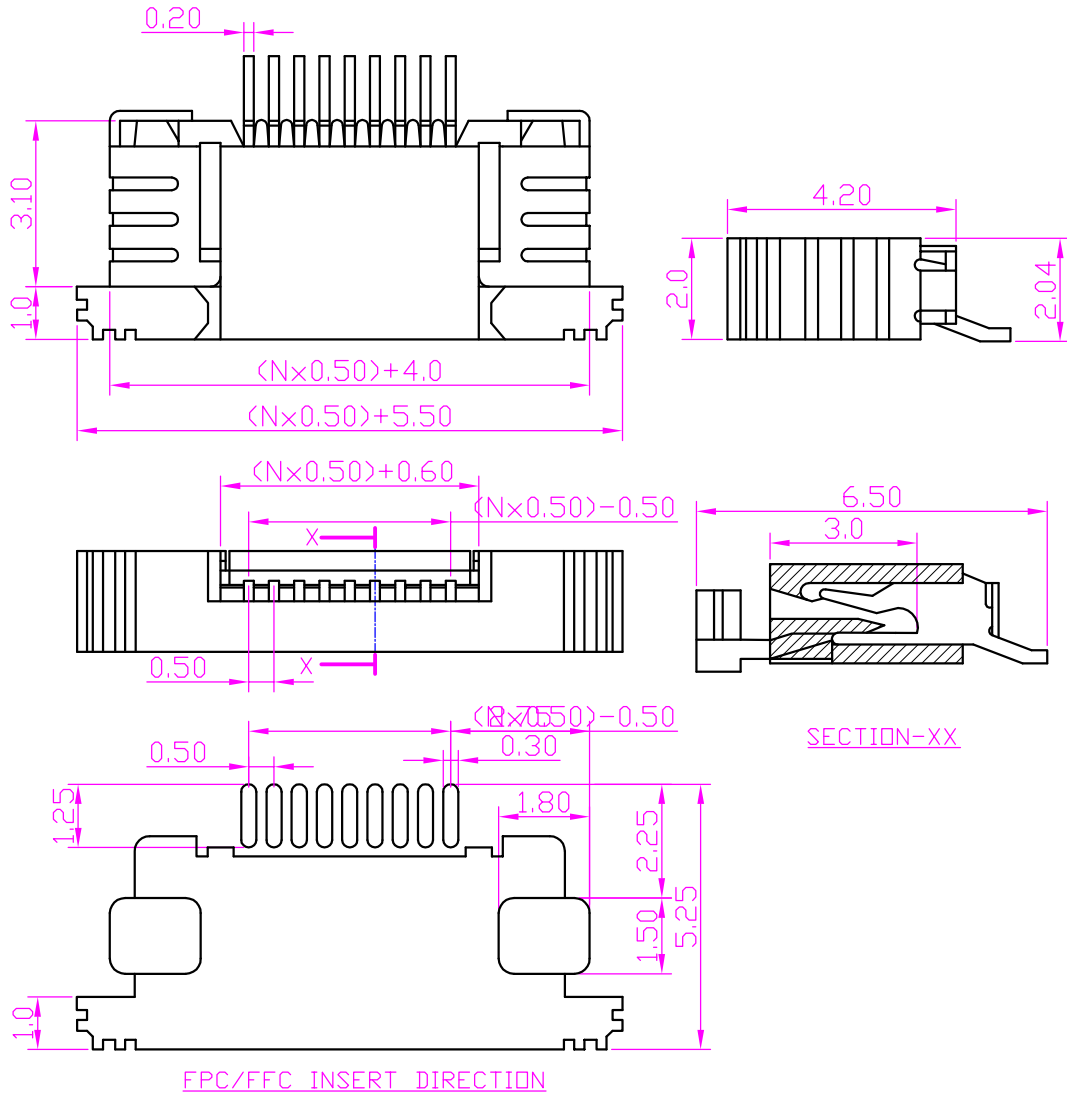
TEMPERATURE RANGE : -55° TO +125° C



PROTECTRON ELECTROMECH (P) LTD

DESCRIPTION : FPC 0.5mm PITCH CONNECTORS HORIZONTAL
TYPE, TOP CONTACT

PART NO: P7065T21-24XX-X
(SEE TABLE)



ORDERING INFORMATION

P7065T21-24XX-X

NO OF CONTACTS
(04-50)

PACKING TYPE
T: TUBE PACKING
R: REEL PACKING

MOQ- ----

SPQ- ----

A	ORIGINAL	ARUN	12.02.2005		
REV.	DESCRIPTION		DRN BY	DATE	CKED BY

Projection: 	Scale: NTS	Sht. Size: A4	Gen. Tol.: $\pm 0.3\text{mm}$ $\pm 0.2^\circ$	ALL DIMENSIONS ARE IN MM. IF UNLESS OTHERWISE SPECIFIED.
-----------------	------------	---------------	--------------------------------------------------	-------------------------------------------------------------

<http://www.protectron.in>
protectron@protectron.in

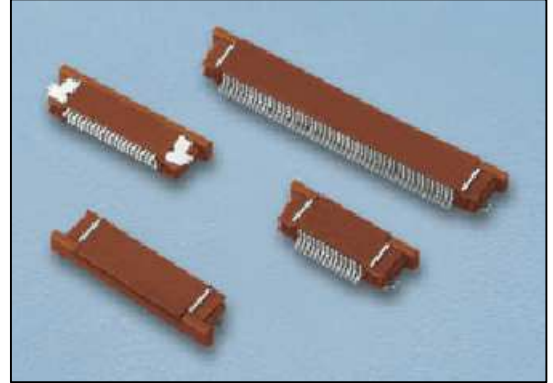


PROTECTRON ELECTROMECH (P) LTD

DESCRIPTION : 0.5mm PITCH FPC CONNECTOR TOP CONTACT

PART NO: P7065T21-24XX-XR11
(SEE TABLE)

RoHS



PHYSICAL

INSULATION AND CONTACT

HOUSING	:	THERMOPLASTIC
FLAMMABILITY	:	UL94V-0
SLIDER	:	THERMOPLASTIC (UL94V-0)
CONTACT	:	COPPER ALLOY TIN-LEAD PLATED
SOLDER TAB	:	COPPER ALLOY TIN-PLATED

PACKAGING TYPE : TUBE/TRAY

ELECTRICAL

CURRENT RATING	:	0.5A, AC/DC
VOLTAGE RATING	:	25V, AC/DC
INSULATION RESISTANCE	:	500M Ω MAX.
CONTACT RESISTANCE	:	20m Ω MIN.
WITHSTANDING VOLTAGE	:	200V AC/MIN

ENVIRONMENTAL DATA

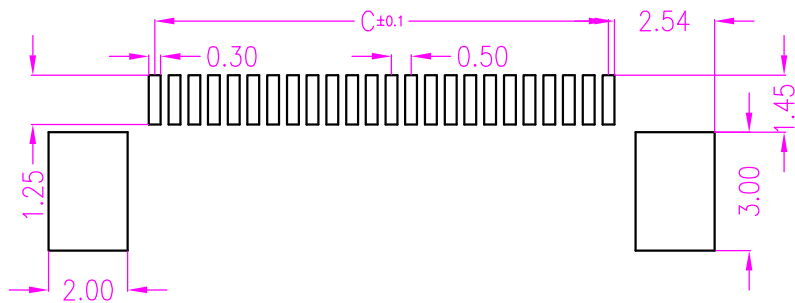
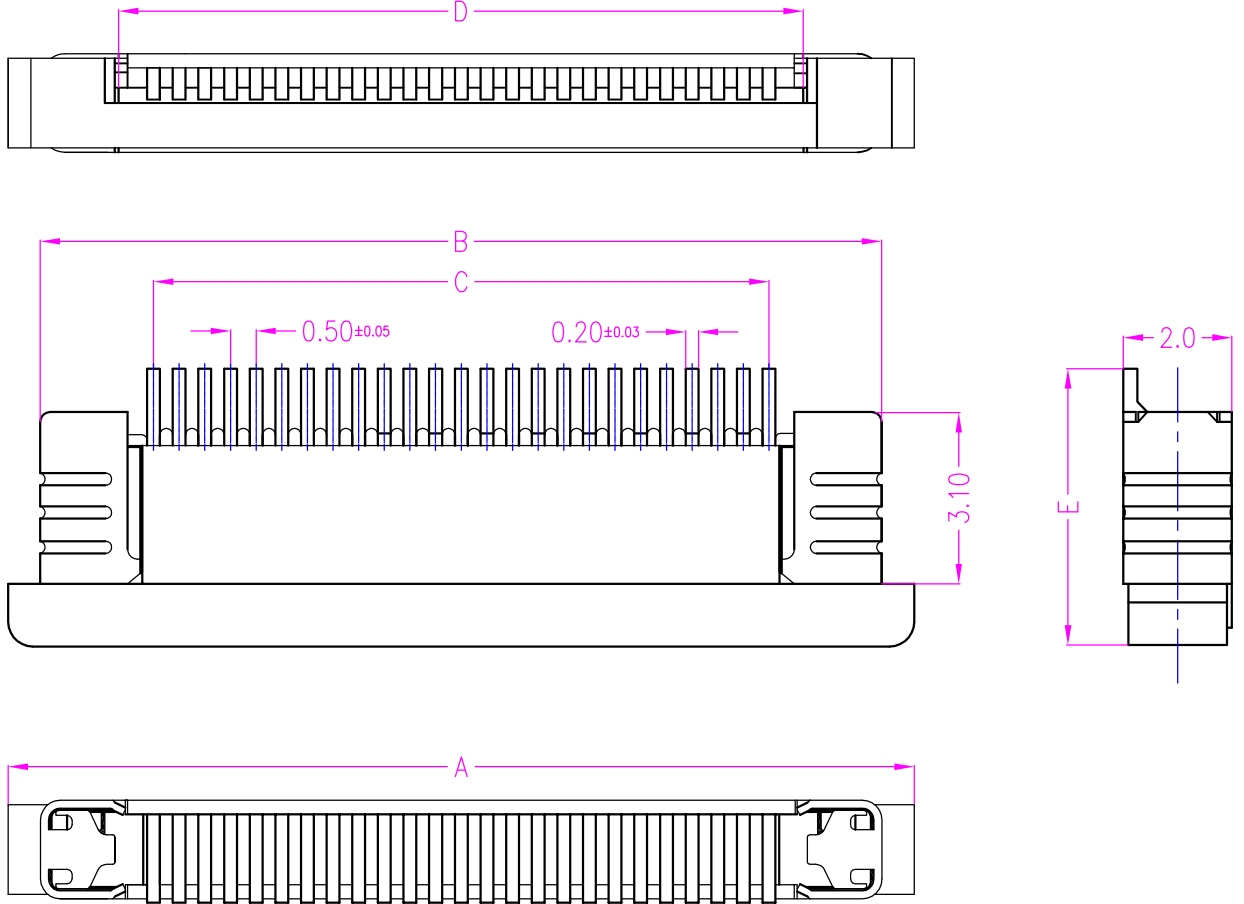
TEMPERATURE RANGE : -25°C TO +85°C



PROTECTRON ELECTROMECH (P) LTD

DESCRIPTION : 0.5mm PITCH FPC CONNECTOR TOP CONTACT

PART NO: P7065T21-24XX-XR11
(SEE TABLE)



RECOMMENDED PCB LAYOUT

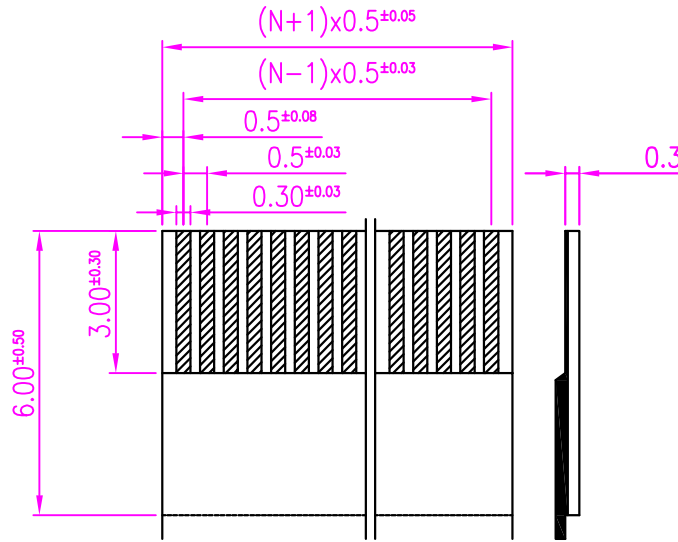
A	ORIGINAL	VISHWA.P	13.11.2014		
REV.	DESCRIPTION	DRN BY	DATE	CKED BY	APP'D BY
Projection: 	Scale: NTS	Sht. Size: A4	Gen. Tol.: $\pm 0.4\text{mm}$ $\pm 2^\circ$	ALL DIMENSIONS ARE IN MM. IF UNLESS OTHERWISE SPECIFIED.	



PROTECTRON ELECTROMECH (P) LTD

DESCRIPTION : 0.5mm PITCH FPC CONNECTOR TOP CONTACT

PART NO: P7065T21-24XX-XR11
(SEE TABLE)



RECOMMENDED FFC/FPC DIM.

PIN	DIMENSIONS				
	A	B	C	D	E
4	7.6	6.5	1.5	2.6	5.20
5	8.1	7.0	2.0	3.1	
6	8.6	7.5	2.5	3.6	
7	9.1	8.0	3.0	4.1	
8	9.6	8.5	3.5	4.6	
9	10.1	9.0	4.0	5.1	
10	10.6	9.5	4.5	5.6	
11	11.1	10.0	5.0	6.1	
12	11.6	10.5	5.5	6.6	
13	12.1	11.0	6.0	7.1	
14	12.6	11.5	6.5	7.6	
15	13.1	12.0	7.0	8.1	
16	13.6	12.5	7.5	8.6	
17	14.1	13.0	8.0	9.1	
18	14.6	13.5	8.5	9.6	
19	15.1	14.0	9.0	10.1	
20	15.6	14.5	9.5	10.6	

PIN	DIMENSIONS				
	A	B	C	D	E
21	16.1	15.0	10.0	11.1	5.20
22	16.6	15.5	10.5	11.6	
23	17.1	16.0	11.0	12.1	
24	17.6	16.5	11.5	12.6	
25	18.1	17.0	12.0	13.1	
26	18.6	17.5	12.5	13.6	
27	19.1	18.0	13.0	14.1	
28	19.6	18.5	13.5	14.6	
29	20.1	19.0	14.0	15.1	
30	20.6	19.5	14.5	15.6	
31	21.1	20.0	15.0	16.1	
32	21.6	20.5	15.5	16.6	
33	22.1	21.0	16.0	17.1	
34	22.6	21.5	16.5	17.6	
35	23.1	22.0	17.0	18.1	
36	23.6	22.5	17.5	18.6	
37	24.1	23.0	18.0	19.1	
38	24.6	23.5	18.5	19.6	
39	25.1	24.0	19.0	20.1	
40	25.6	24.5	19.5	20.6	

PIN	DIMENSIONS				
	A	B	C	D	E
41	26.1	25.0	20.0	21.1	5.70
42	26.6	25.5	20.5	21.6	
43	27.1	26.0	21.0	22.1	
44	27.6	26.5	21.5	22.6	
45	28.1	27.0	22.0	23.1	
46	28.6	27.5	22.5	23.6	
47	29.1	28.0	23.0	24.1	
48	29.6	28.5	23.5	24.6	
49	30.1	29.0	24.0	25.1	
50	30.6	29.5	24.5	25.6	
51	31.1	30.0	25.0	26.1	
52	31.6	30.5	25.5	26.6	
53	32.1	31.0	26.0	27.1	
54	32.6	31.5	26.5	27.6	
55	33.1	32.0	27.0	28.1	
56	33.6	32.5	27.5	28.6	
57	34.1	33.0	28.0	29.1	
58	34.6	33.5	28.5	29.6	
59	35.1	34.0	29.0	30.1	
60	35.6	34.5	29.5	30.6	

ORDERING INFORMATION

P7065T21-24XX-XR11

NO OF CONTACTS
(04-50)

PACKING TYPE
T: TUBE PACKING
R: REEL PACKING

MOQ- ----

SPQ- ----