

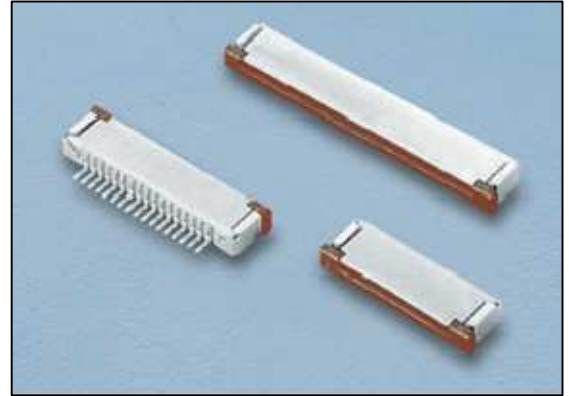


# PROTECTRON ELECTROMECH (P) LTD

DESCRIPTION :1mm PTICH FPC CONNECTOR, HORIZONTAL TYPE  
TOP CONTACT

PART NO:P7045T2C024XX-XR8  
(SEE TABLE)

RoHS



## PHYSICAL

HOUSING	:	NYLON 6T, UL94V-0, NATURAL(BEIGE)
CONTACTS	:	PHOSPHOR BRONZE,TIN PLATED
SOLDER TABS	:	PHOSPHOR BRONZE,TIN PLATED
ACTUATOR	:	NYLON 6T, UL94V-0, NATURAL(BLACK)
PACKAGING TYPE	:	TUBE/ TAPE AND REEL

## ELECTRICAL

CURRENT RATING	:	0.5A, AC/DC
INSULATION RESISTANCE	:	500M OHMS MIN
DIELECTRIC WITHSTANDING	:	500V AC/MIN
CONTACT RESISTANCE	:	30m OHMS MAX
VOLTAGE RATING	:	50V, AC/DC

## ENVIRONMENTAL DATA

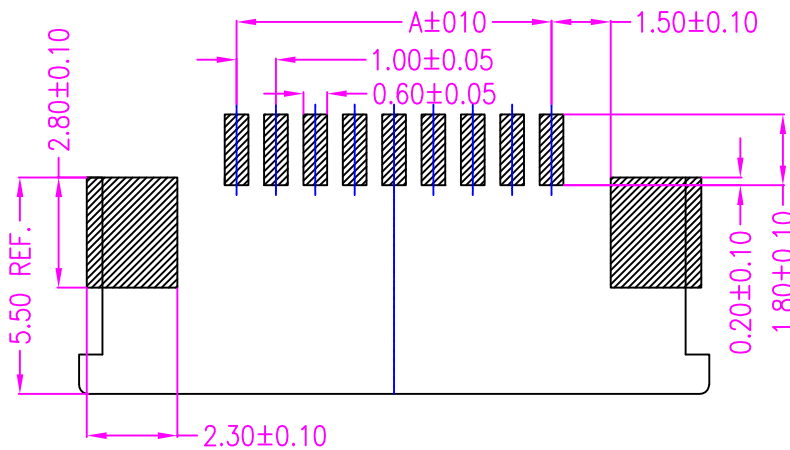
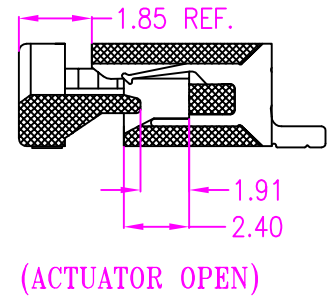
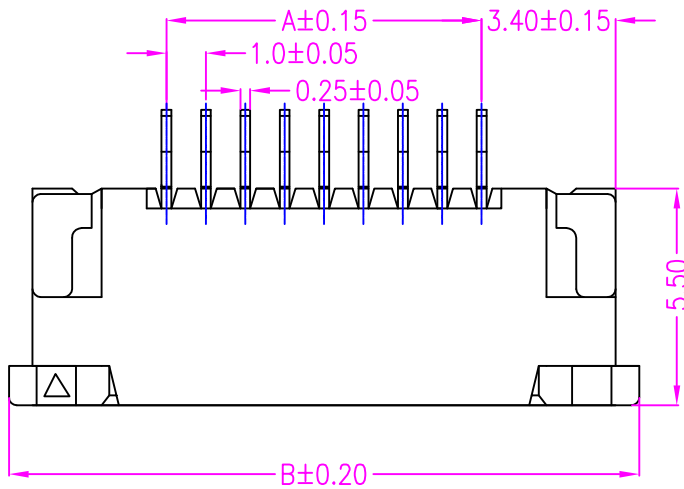
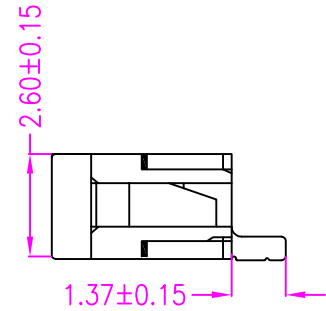
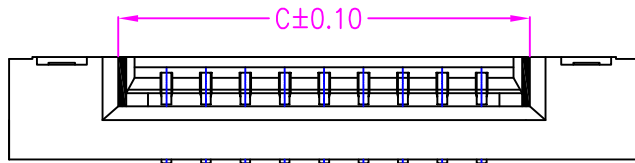
TEMPERATURE RANGE	:	-25° TO +85° C
-------------------	---	----------------



# PROTECTRON ELECTROMECH (P) LTD

DESCRIPTION : 1mm PITCH FPC CONNECTOR, HORIZONTAL TYPE  
TOP CONTACT

PART NO: P7045T2C024XX-XR8  
(SEE TABLE)



RECOMMENDED PCB LAYOUT  
(PCB TOLERANCE ±0.05)

A	ORIGINAL	RAJESH	10.12.2011		
REV.		DESCRIPTION	DRN BY	DATE	CKED BY APP'D BY

Projection: 	Scale: NTS	Sht. Size: A4	Gen. Tol.: ±0.3mm ±0.2°	ALL DIMENSIONS ARE IN MM. IF UNLESS OTHERWISE SPECIFIED.
-----------------	------------	---------------	----------------------------	---



# PROTECTRON ELECTROMECH (P) LTD

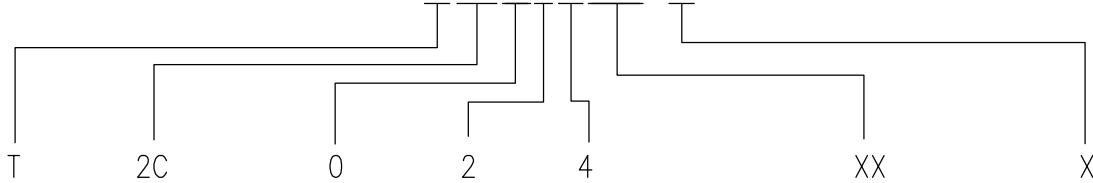
DESCRIPTION :1mm PTICH FPC CONNECTOR, HORIZONTAL TYPE  
TOP CONTACT

PART NO:P7045T2C024XX-XR8  
(SEE TABLE)

POS.	DIMENSION		
	A	B	C
4	3.00	11.0	5.25
5	4.00	12.0	6.25
6	5.00	13.0	7.25
7	6.00	14.0	8.25
8	7.00	15.0	9.25
9	8.00	16.0	10.25
10	9.00	17.0	11.25
11	10.0	18.0	12.25
12	11.0	19.0	13.25
13	12.0	20.0	14.25
14	13.0	21.0	15.25
15	14.0	22.0	16.25
16	15.0	23.0	17.25
17	16.0	24.0	18.25
18	17.0	25.0	19.25

POS.	A	B	C
19	18.0	26.0	20.25
20	19.0	27.0	21.25
21	20.0	28.0	22.25
22	21.0	29.0	23.25
23	22.0	30.0	24.25
24	23.0	31.0	25.25
25	24.0	32.0	26.25
26	25.0	33.0	27.25
27	26.0	34.0	28.25
28	27.0	35.0	29.25
29	28.0	36.0	30.25
30	29.0	37.0	31.25
31	30.0	38.0	32.25
32	31.0	39.0	33.25
33	32.0	40.0	34.25
34	33.0	41.0	35.25

## P7045T2C024XX-XR8



SERIES	MOUNTING TYPE	ACTUATOR COLOUR	PLATING	NO.OF CONTACTS	PACKING TYPE
P7045	T=TOP CONTACT	0=BLACK	4=5µ TIN-LEAD	03 TO 32	T=TUBE R=TAPE & REEL

MOQ- ----

SPQ- ----

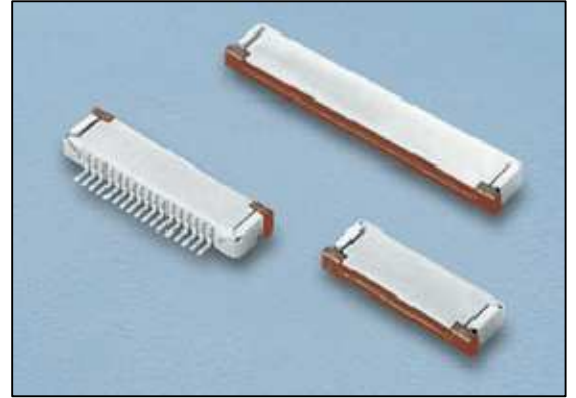


# PROTECTRON ELECTROMECH (P) LTD

DESCRIPTION :FPC 1mm PTICH CONNECTOR, HORIZONTAL TYPE  
TOP CONTACT

PART NO:P7045T2C024XX-XR6  
(SEE TABLE)

RoHS



## PHYSICAL

INSULATOR BODY : PLASTIC NYLON, UL94V-0  
CONTACTS : PHOSPHOR BRONZE,TIN PLATED  
PACKAGING TYPE : TUBE/ TAPE AND REEL

## ELECTRICAL

CURRENT RATING : 0.5A MAX  
INSULATION RESISTANCE : 50M OHMS MIN  
DIELECTRIC WITHSTANDING : 250V AC  
CONTACT RESISTANCE : 20m OHMS MAX  
VOLTAGE RATING : 50V MAX

## ENVIRONMENTAL DATA

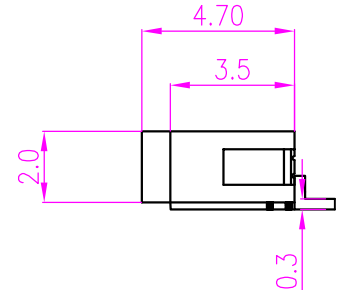
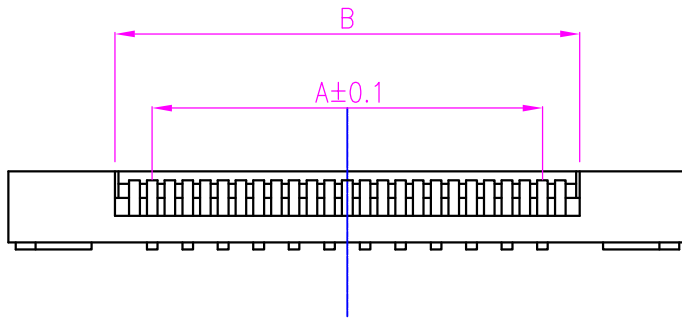
TEMPERATURE RANGE : -25° TO +85° C



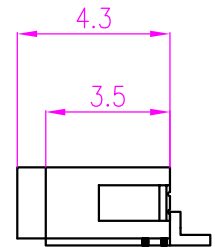
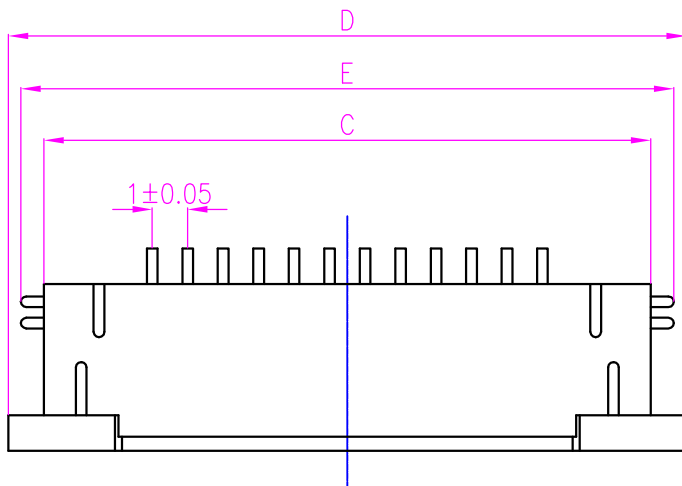
# PROTECTRON ELECTROMECH (P) LTD

DESCRIPTION : FPC 1mm PTICH CONNECTOR, HORIZONTAL TYPE  
TOP CONTACT

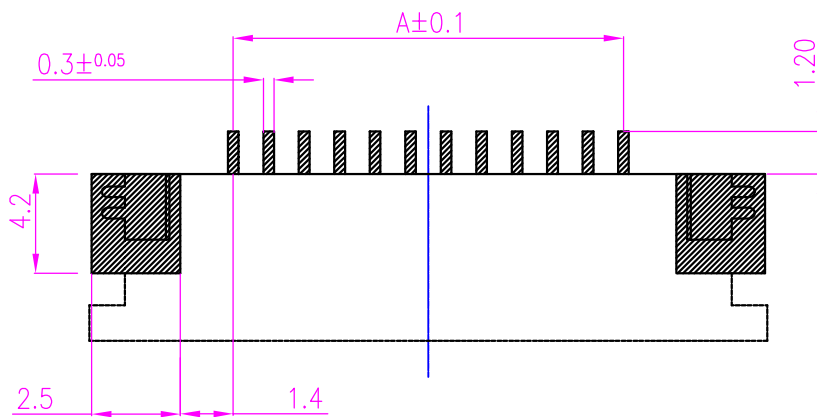
PART NO: P7045T2C024XX-XR6  
(SEE TABLE)



NO. OF CONTACTS 15PIN-30PIN



NO. OF CONTACTS 4PIN-14PIN



RECOMMENDED PCB LAYOUT  
(PCB TOLERANCE ±0.05)

A	ORIGINAL	Ravish.S	30.04.2010		
REV.	DESCRIPTION	DRN BY	DATE	CKED BY	APP'D BY
Projection: 		Scale: NTS	Sht. Size: A4	Gen. Tol.: ±0.5mm ±2°	ALL DIMENSIONS ARE IN MM. IF UNLESS OTHERWISE SPECIFIED.



# PROTECTRON ELECTROMECH (P) LTD

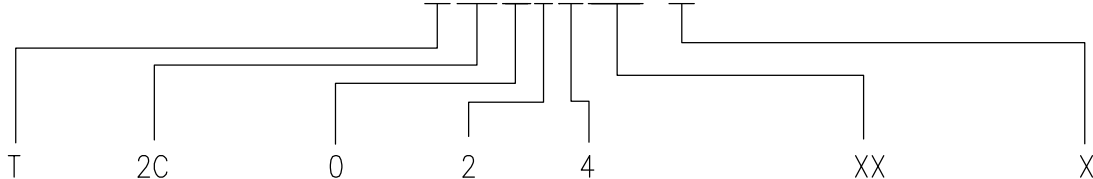
DESCRIPTION :FPC 1mm PTICH CONNECTOR, HORIZONTAL TYPE  
TOP CONTACT

PART NO:P7045T2C024XX-XR6  
(SEE TABLE)

PIN	DIMENSIONS				
	A	B	C	D	E
4	3.0	5.10	9.10	11.10	10.40
5	4.0	6.10	10.10	12.10	11.40
6	5.0	7.10	11.10	13.10	12.40
7	6.0	8.10	12.10	14.10	13.40
8	7.0	9.10	13.10	15.10	14.40
9	8.0	10.10	14.10	16.10	15.40
10	9.0	11.10	15.10	17.10	16.40
11	10.0	12.10	16.10	18.10	17.40
12	11.0	13.10	17.10	19.10	18.40
13	12.0	14.10	18.10	20.10	19.40
14	13.0	15.10	19.10	21.10	20.40
15	14.0	16.10	20.10	22.10	21.40
16	15.0	17.10	21.10	23.10	22.40
17	16.0	18.10	22.10	24.10	23.40
18	17.0	19.10	23.10	25.10	24.40
19	18.0	20.10	24.10	26.10	25.40
20	19.0	21.10	25.10	27.10	26.40

PIN	DIMENSIONS				
	A	B	C	D	E
21	20.0	22.10	26.10	28.10	27.40
22	21.0	23.10	27.10	29.10	28.40
23	22.0	24.10	28.10	30.10	29.40
24	23.0	25.10	29.10	31.10	30.40
25	24.0	26.10	30.10	32.10	31.40
26	25.0	27.10	31.10	33.10	32.40
27	26.0	28.10	32.10	34.10	33.40
28	27.0	29.10	33.10	35.10	34.40
29	28.0	30.10	34.10	36.10	35.40
30	29.0	31.10	35.10	37.10	36.40

## P7045T2C024XX-XR6



SERIES	MOUNTING TYPE	ACTUATOR	COLOUR	PLATING	NO.OF CONTACTS	PACKING TYPE
P7045	T=TOP CONTACT	0=BLACK		4=5 $\mu$ TIN-LEAD	03 TO 32	T=TUBE R=TAPE & REEL

MOQ- -----

SPQ- -----

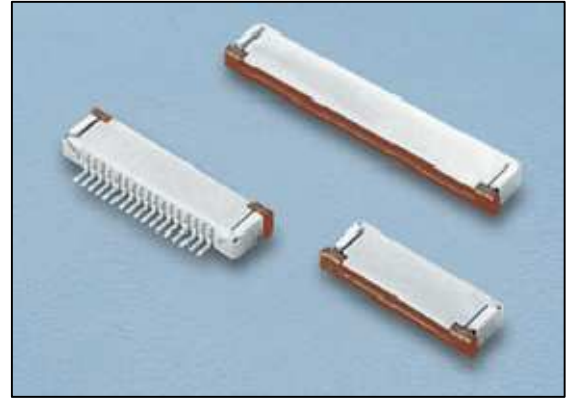


# PROTECTRON ELECTROMECH (P) LTD

DESCRIPTION : FPC 1mm PTICH CONNECTOR, HORIZONTAL TYPE  
TOP CONTACT

PART NO: P7045T2CX2XXX-X  
(SEE TABLE)

RoHS



## PHYSICAL

INSULATOR BODY	:	NYLON RESIN GLASS REINFORCED SELF-EXTINGUISHING, RATED UL94-V0
ACTUATOR	:	PPS, UL94-V0
CONTACT	:	PHOSPHOR BRONZE, GOLD/TIN-LEAD PLATED
PACKAGING TYPE	:	TUBE/ TAPE AND REEL

## ELECTRICAL

CURRENT RATING	:	0.5A
INSULATION RESISTANCE	:	500M OHMS MIN
DIELECTRIC WITHSTANDING	:	500V AC
CONTACT RESISTANCE	:	30m OHMS MAX
VOLTAGE RATING	:	50V MAX

## ENVIRONMENTAL DATA

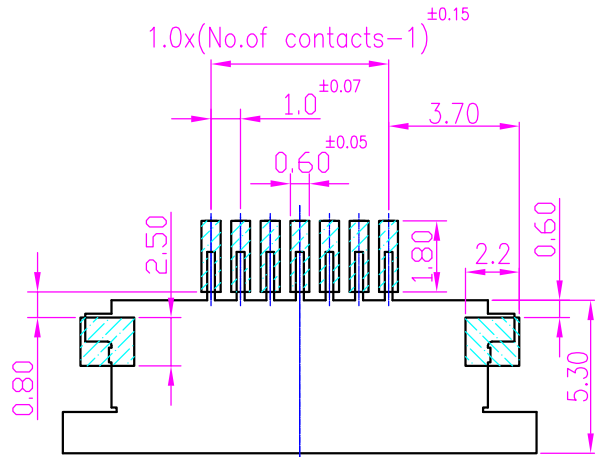
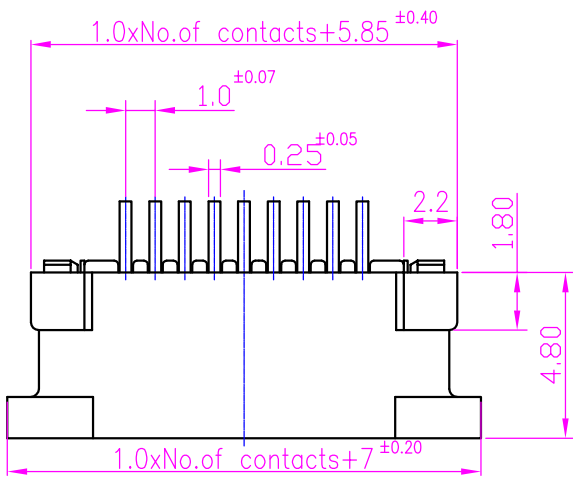
TEMPERATURE RANGE	:	-25° TO +85° C
MAX. PROCESSING TEMP.	:	230°C FOR 30-60 SECONDS 260°C FOR 10 SECONDS



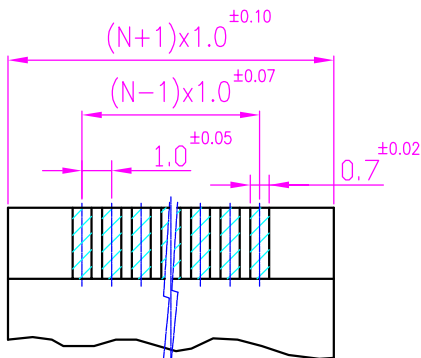
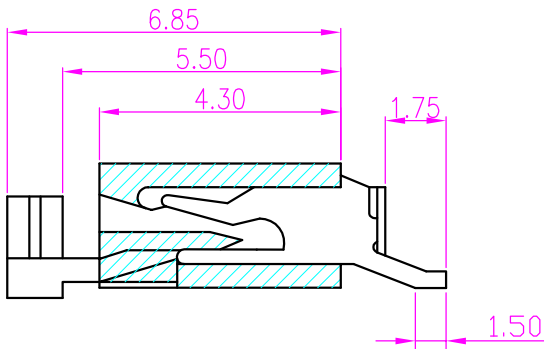
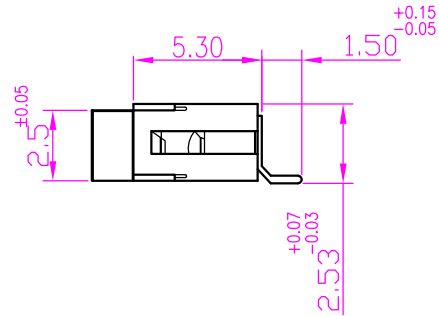
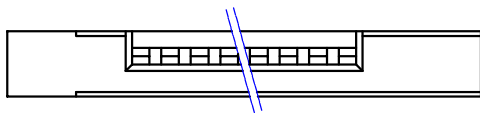
# PROTECTRON ELECTROMECH (P) LTD

DESCRIPTION : FPC 1mm PTICH CONNECTOR, HORIZONTAL TYPE  
TOP CONTACT

PART NO: P7045T2CX2XXX-X  
(SEE TABLE)



PCB LAYOUT



FPC/FPC  $t=0.30 \pm 0.05$

A	ORIGINAL	SANDHYA	07.06.2006		
REV.	DESCRIPTION		DRN BY	DATE	CKED BY

Projection: 	Scale: NTS	Sht. Size: A4	Gen. Tol.: $\pm 0.5\text{mm}$ $\pm 2^\circ$	ALL DIMENSIONS ARE IN MM. IF UNLESS OTHERWISE SPECIFIED.
-----------------	------------	---------------	--	---



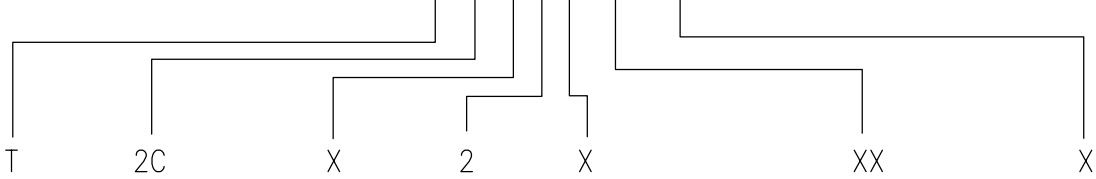


# PROTECTRON ELECTROMECH (P) LTD

DESCRIPTION :FPC 1mm PTICH CONNECTOR, HORIZONTAL TYPE  
TOP CONTACT

PART NO:P7045T2CX2XXX-X  
(SEE TABLE)

P7045T2CX2XXX-X



SERIES	MOUNTING TYPE	ACTUATOR COLOUR	PLATING	NO.OF CONTACTS	PACKING TYPE
P7045	T=TOP CONTACT	0=BLACK 1=BROWN	1=GOLD FLASH 4=5μ TIN-LEAD	03 TO 32	T=TUBE R=TAPE & REEL

MOQ- ----

SPQ- ----