



# PROTECTRON ELECTROMECH (P) LTD

DESCRIPTION : FPC 1mm PTICH CONNECTOR, HORIZONTAL TYPE  
BOTTOM CONTACT

PART NO: P7045B2C024XX-XR6  
(SEE TABLE)

RoHS



## PHYSICAL

INSULATOR BODY : HIGH TEMP THERMOPLASTIC UL94V-0  
CONTACTS : COPPER ALLOY ,TIN PLATED  
PACKAGING TYPE : TUBE/ TAPE AND REEL

## ELECTRICAL

CURRENT RATING : 0.5A MAX  
INSULATION RESISTANCE : 50M OHMS MIN  
DIELECTRIC WITHSTANDING : 250V AC  
CONTACT RESISTANCE : 30m OHMS MAX  
VOLTAGE RATING : 50V MAX

## ENVIRONMENTAL DATA

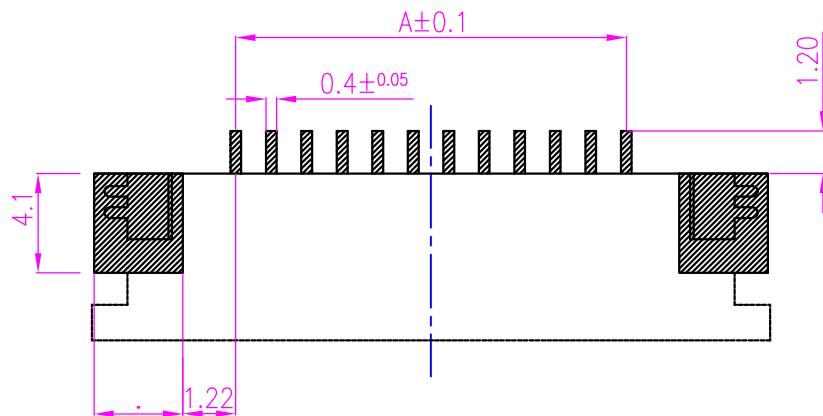
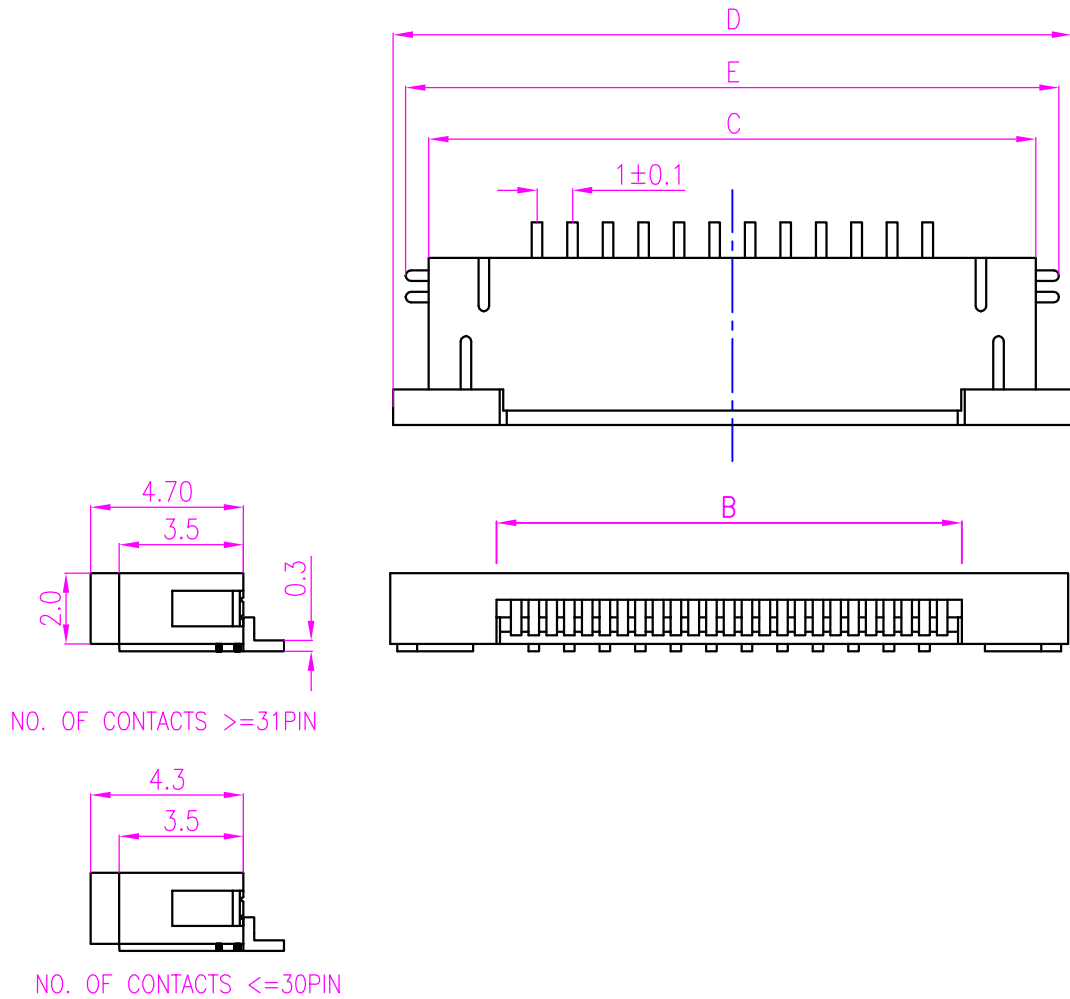
TEMPERATURE RANGE : -25° TO +85° C



# PROTECTRON ELECTROMECH (P) LTD

DESCRIPTION : FPC 1mm PTICH CONNECTOR, HORIZONTAL TYPE  
BOTTOM CONTACT

PART NO: P7045B2C024XX-XR6  
(SEE TABLE)



MOUNTING DETAILS

A	ORIGINAL	Ravish.S	19.05.2010			
REV.	DESCRIPTION		DRN BY	DATE	CKED BY	APP'D BY
Projection: 		Scale: NTS	Sht. Size: A4	Gen. Tol.: $\pm 0.5\text{mm}$ $\pm 2^\circ$	ALL DIMENSIONS ARE IN MM. IF UNLESS OTHERWISE SPECIFIED.	



# PROTECTRON ELECTROMECH (P) LTD

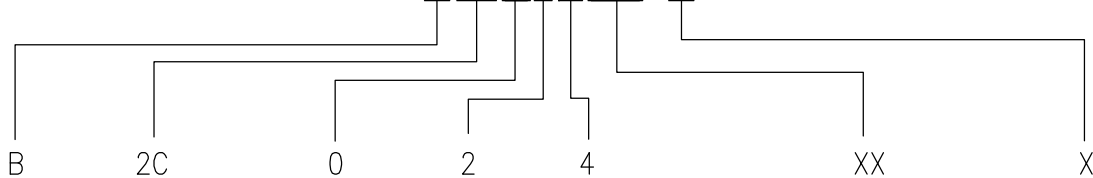
DESCRIPTION :FPC 1mm PTICH CONNECTOR, HORIZONTAL TYPE  
BOTTOM CONTACT

PART NO:P7045B2C024XX-XR6  
(SEE TABLE)

No.OF PINS	DIMENSIONS				
	A	B	C	D	E
4	3.0	5.10	9.10	11.10	10.40
5	4.0	6.10	10.10	12.10	11.40
6	5.0	7.10	11.10	13.10	12.40
7	6.0	8.10	12.10	14.10	13.40
8	7.0	9.10	13.10	15.10	14.40
9	8.0	10.10	14.10	16.10	15.40
10	9.0	11.10	15.10	17.10	16.40
11	10.0	12.10	16.10	18.10	17.40
12	11.0	13.10	17.10	19.10	18.40
13	12.0	14.10	18.10	20.10	19.40
14	13.0	15.10	19.10	21.10	20.40
15	14.0	16.10	20.10	22.10	21.40
16	15.0	17.10	21.10	23.10	22.40
17	16.0	18.10	22.10	24.10	23.40
18	17.0	19.10	23.10	25.10	24.40
19	18.0	20.10	24.10	26.10	25.40
20	19.0	21.10	25.10	27.10	26.40

No.OF PINS	DIMENSIONS				
	A	B	C	D	E
21	20.0	22.10	26.10	28.10	27.40
22	21.0	23.10	27.10	29.10	28.40
23	22.0	24.10	28.10	30.10	29.40
24	23.0	25.10	29.10	31.10	30.40
25	24.0	26.10	30.10	32.10	31.40
26	25.0	27.10	31.10	33.10	32.40
27	26.0	28.10	32.10	34.10	33.40
28	27.0	29.10	33.10	35.10	34.40
29	28.0	30.10	34.10	36.10	35.40
30	29.0	31.10	35.10	37.10	36.40

## P7045B2C024XX-XR6



SERIES	MOUNTING TYPE	ACTUATOR	COLOUR	PLATING	NO.OF CONTACTS	PACKING TYPE
P7045	B=BOTTOM CONTACT	0=BLACK		4=5 $\mu$ TIN-LEAD	03 TO 32	T=TUBE R=TAPE & REEL

MOQ- -----

SPQ- -----



# PROTECTRON ELECTROMECH (P) LTD

DESCRIPTION :FPC 1mm PTICH CONNECTOR, HORIZONTAL TYPE

PART NO:P7045B2CX2XXX-X  
(SEE TABLE)

RoHS



## PHYSICAL

INSULATOR BODY	:	NYLON RESIN GLASS REINFORCED SELF-EXTINGUISHING, RATED UL94-V0
ACTUATOR	:	PPS, UL94-V0
CONTACTS	:	COPPER ALLOY ,TIN PLATED
PACKAGING TYPE	:	TUBE/ TAPE AND REEL

## ELECTRICAL

CURRENT RATING	:	0.5A
INSULATION RESISTANCE	:	1000M OHMS MIN
DIELECTRIC WITHSTANDING	:	200V AC
CONTACT RESISTANCE	:	30m OHMS MAX

## ENVIRONMENTAL DATA

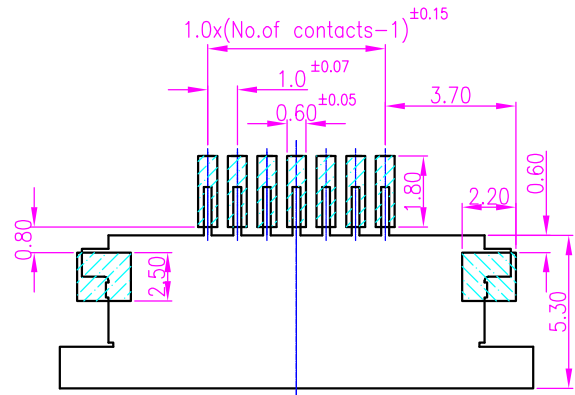
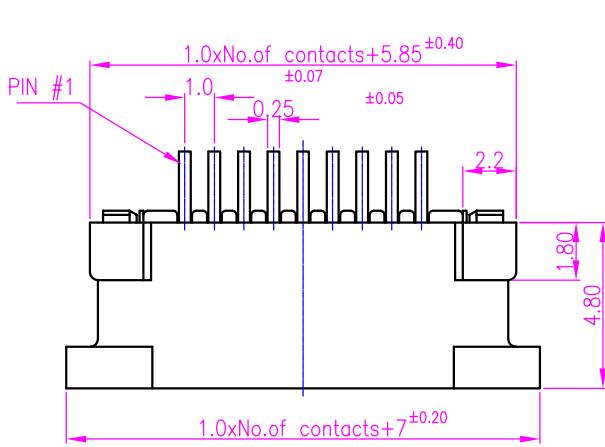
TEMPERATURE RANGE	:	-55° TO +125° C
MAX. PROCESSING TEMP.	:	230°C FOR 30-60 SECONDS 260°C FOR 10 SECONDS



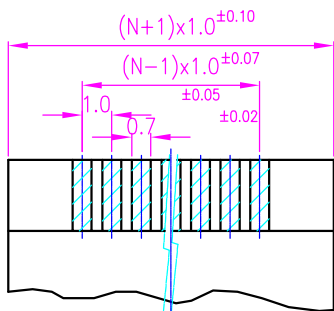
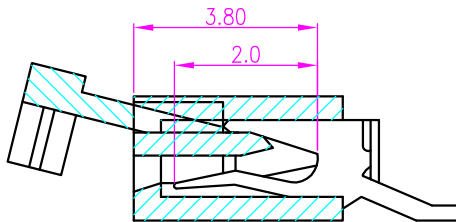
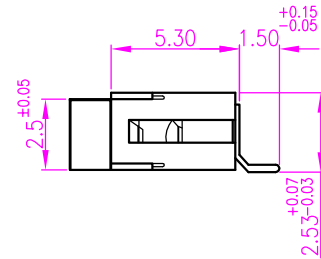
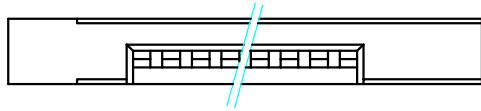
# PROTECTRON ELECTROMECH (P) LTD

DESCRIPTION : FPC 1mm PTICH CONNECTOR, HORIZONTAL TYPE

PART NO: P7045B2CX2XXX-X  
(SEE TABLE)



## PCB LAYOUT



FFC/FPC  $t=0.30^{±0.05}$

A	ORIGINAL	SACHIN	10.11.2003		
REV.	DESCRIPTION		DRN BY	DATE	CKED BY
Projection: 		Scale: NTS	Sht. Size: A4	Gen. Tol.: ±0.5mm ±2°	ALL DIMENSIONS ARE IN MM. IF UNLESS OTHERWISE SPECIFIED.

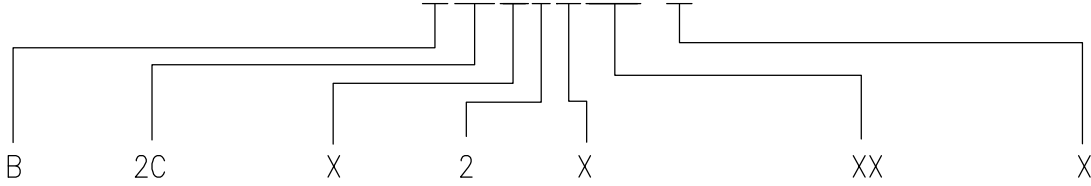


# PROTECTRON ELECTROMECH (P) LTD

DESCRIPTION :FPC 1mm PTICH CONNECTOR, HORIZONTAL TYPE

PART NO:P7045B2CX2XXX-X  
(SEE TABLE)

## P7045B2CX2XXX-X



SERIES	MOUNTING TYPE	ACTUATOR COLOUR	PLATING	NO.OF CONTACTS	PACKING TYPE
P7045	B=BOTTOM CONTACT	0=BLACK 1=BROWN	1-GOLD FLASH 4=5 $\mu$ TIN-LEAD	03 TO 32	T=TUBE R=TAPE & REEL

MOQ- ----

SPQ- ----