



PROTECTRON ELECTROMECH (P) LTD

DESCRIPTION : RJ45 MODULAR JACK, UNSHIELDED, SIDE ENTRY, WITH LED.

PART NO: PSY019TX8P8C-XX
(SEE TABLE)

RoHS



PHYSICAL

MATERIAL

INSULATOR	:	THERMOPLASTIC
FLAMMABILITY	:	UL 94V-0
COLOR	:	BLACK/GREY COLOR
CONTACT	:	PHOSPHOR BRONZE, SELECTIVE GOLD PLATING
SHEILDED	:	BRASS, TIN PLATED
PACKAGING TYPE	:	BULK PACKING

ELECTRICAL

CONTACT RESISTANCE	:	30m OHMS MAX
INSULATION RESISTANCE	:	500M OHMS MIN
CURRENT RATING	:	1A
VOLTAGE RATING	:	150V AC MAX
DIELECTRIC WITHSTANDING	:	1000V rms

MECHANICAL DATA

MECHANICAL LIFE	:	500 CYCLES MIN
-----------------	---	----------------

ENVIRONMENTAL DATA

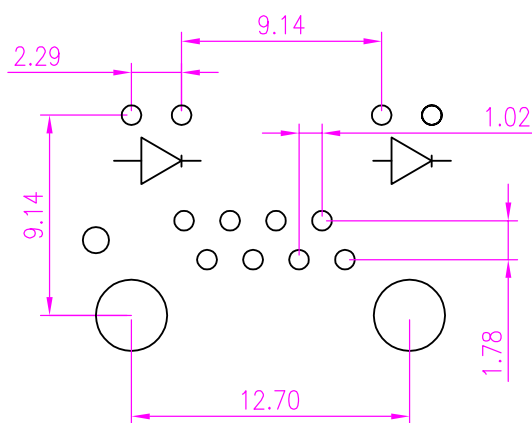
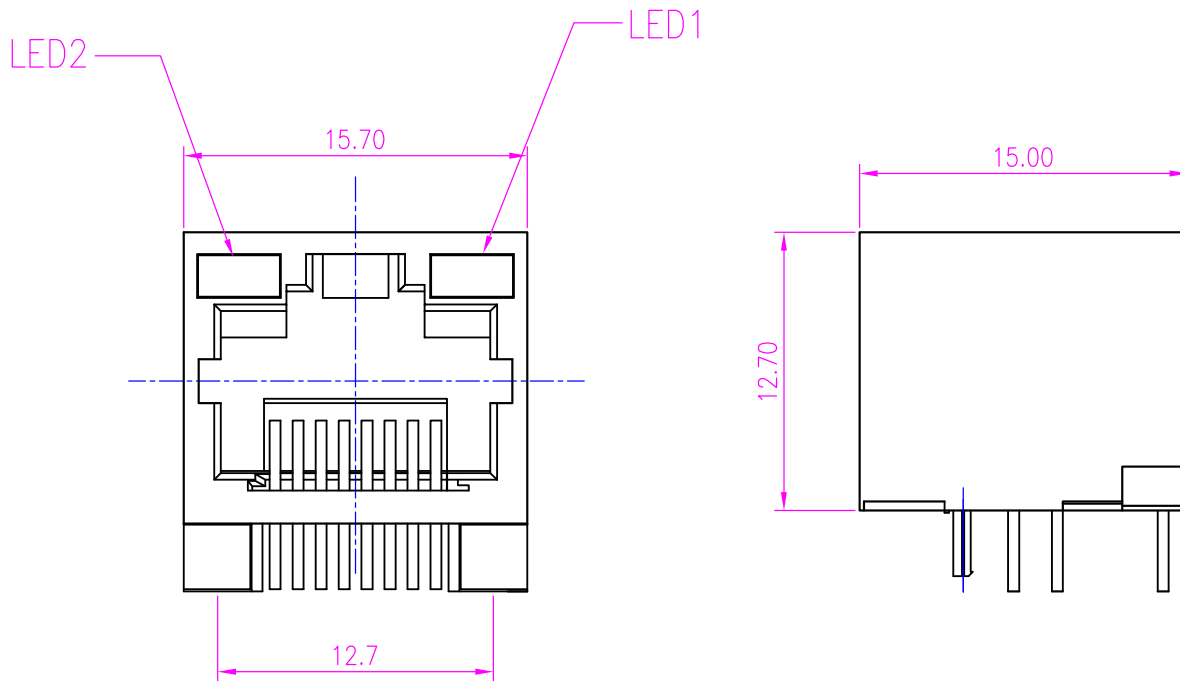
TEMPERATURE RANGE	:	-40° TO +70° C
-------------------	---	----------------



PROTECTRON ELECTROMECH (P) LTD

DESCRIPTION : RJ45 MODULAR JACK, UNSHIELDED, SIDE ENTRY, WITH LED.

PART NO: PSY019TX8P8C-XX
(SEE TABLE)



A	ORIGINAL		SIDDU	16.10.2007		
REV.	DESCRIPTION			DRN BY	DATE	APP'D BY
Projection: 		Scale: NTS	Sht. Size: A4	Gen. Tol.: ±0.15mm	ALL DIMENSIONS ARE IN MM. IF UNLESS OTHERWISE SPECIFIED.	



PROTECTRON ELECTROMECH (P) LTD

DESCRIPTION : RJ45 MODULAR JACK, UNSHIELDED, SIDE ENTRY, WITH LED.

PART NO: PSY019TX8P8C-XX
(SEE TABLE)

ORDERING INFORMATION

PSY019TX8P8C-XX

SINGLE PORT

"-"=Single Port

2: 2Ports

4: 4Ports

6: 6Ports

8: 8Ports

PLATING

1=6 μ " GOLD PLATED

2=0.75 μ GOLD PLATED

3=GOLD FLASH 0.075 μ

6=GOLD ON CONTACT AREA, TIN ON SOLDER AREA

LED OPTIONS		
CODE	LED 2[LEFT]	LED 1[RIGHT]
0	Blocked	Blocked
A	Yellow	Green
B	Green	Green
C	Blocked	Green
D	Yellow	Blocked
E	Green	Yellow
F	Yellow	Yellow
G	OR/GR	OR/GR
H	YE/GR	YE/GR
I	OR/GR	Yellow

MOQ- ----
SPQ- ----