



# PROTECTRON ELECTROMECH (P) LTD

DESCRIPTION : COIN BATTERY HOLDER

PART NO:PBATH11-20-19

RoHS



## PHYSICAL

### MATERIAL

INSULATOR : THERMOPLASTIC  
CONTACT : COPPER ALLOY  
FLAMMABILITY : UL 94V-0  
COLOR : BLACK  
CONTACT FINISH : 50% MIN NICKEL UNDERPLATING, 100 $\mu$ " MIN,  
TIN ON THE CONTACT

PACKAGING TYPE : BULK PACKING

## ORDERING INFORMATION

PBATH11-20-19

MOQ- 10000 MIN

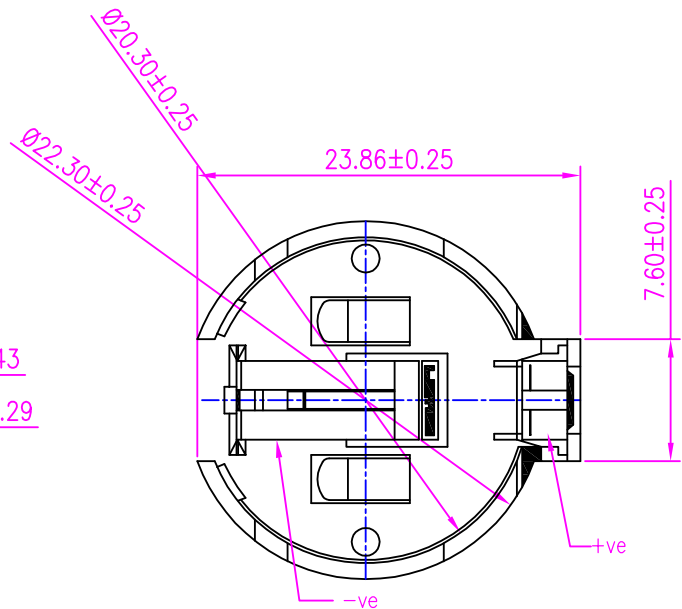
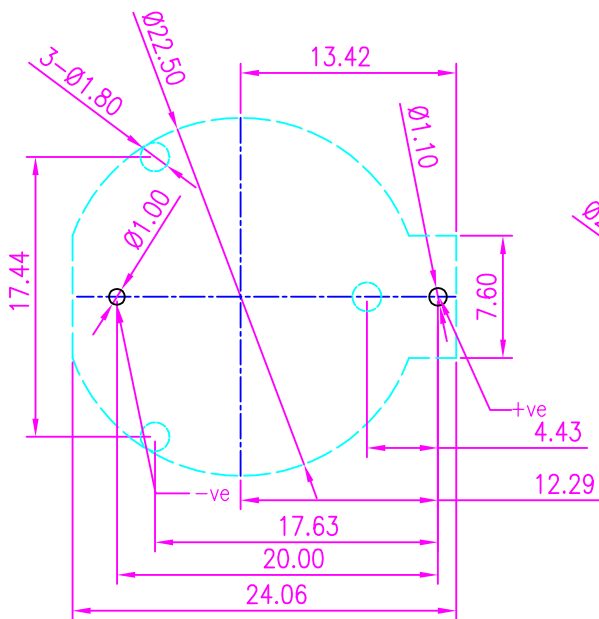
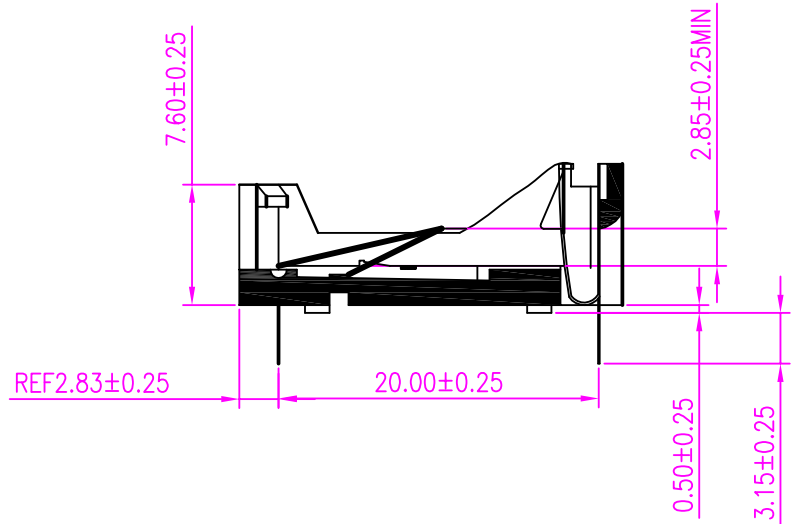
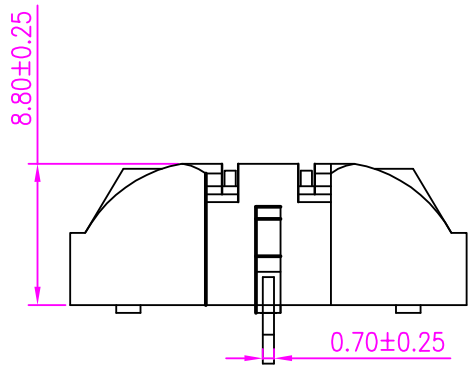
SPQ- -----



# PROTECTRON ELECTROMECH (P) LTD

DESCRIPTION : COIN BATTERY HOLDER

PART NO:PBATH11-20-19



RECOMMENDED PC BOARD LAYOUT  
TOLERANCE:  $\pm 0.05$

A	ORIGINAL			ANIL	21.02.2008		
REV.	DESCRIPTION			DRN BY	DATE	CK'ED BY	APP'D BY
Projection: 		Scale: NTS	Sht. Size: A4	Gen. Tol.: $\pm 0.1\text{mm}$ $\pm 1^\circ$	ALL DIMENSIONS ARE IN MM. IF UNLESS OTHERWISE SPECIFIED.		