



# PROTECTRON ELECTROMECH (P) LTD

DESCRIPTION : MINI BLADE FUSE WITH LED

PART NO: PTF 300 In-L  
(REFER TABLE)



## MATERIAL AND FINISH:

BODY : POLYCARBONATE/ NYLON  
ELEMENT : ZINC MATERIAL, TIN PLATED

## ELECTRICAL PARAMETERS:

RATED VOLTAGE MAX : DC 32 OR LESS  
INTERRUPTING RATING : 1000A @ 32V DC

## MARKINGS ON INSULATOR SHOULD BE AS FOLLOWS:-

'AMPERAGE', 'VOLTAGE RATING' AND 'PROTECTRON' (MANUFACTURER)

## ELECTRICAL CHARACTERISTICS:-

% OF AMPERE RATING	AMPERE RATING	OPENING TIME
110%	5-30Amp	100 Hours Min.
135%	5-30Amp	750 msec., Min.; 1800sec, Max.
200%	5-30Amp	150 msec., Min.; 5sec, Max.
350%	5-30Amp	40 msec., Min.; 500msec., Max.

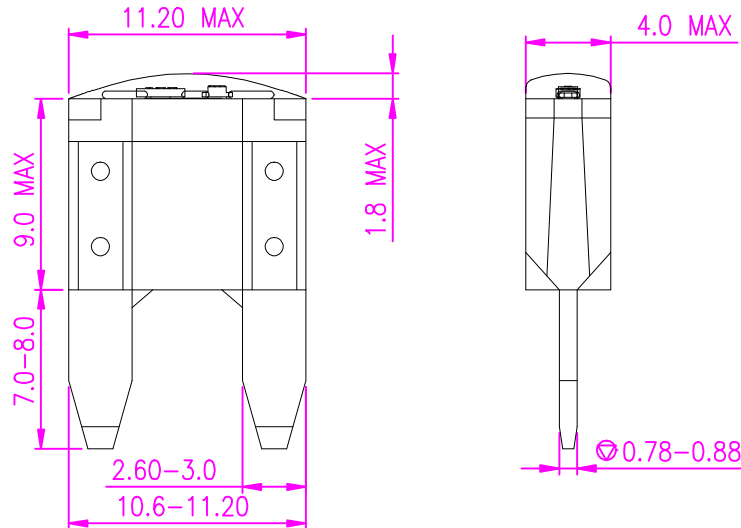
FOR DWG REFER NEXT PAGE



# PROTECTRON ELECTROMECH (P) LTD

DESCRIPTION : MINI BLADE FUSE WITH LED

PART NO: PTF 300 In-L  
(REFER TABLE)



Rated Current marking.(White)

## ORDERING INFORMATION

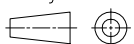
PTF 300 In-L

In = NOMINAL CURRENT(3A TO 30A)

NOMINAL CURRENT RANGE (In)	BODY COLOUR	PROTECTRON PART NO
3A	VIOLET	PTF 300 3A-L
4A	PINK	PTF 300 4A-L
5A	TAN	PTF 300 5A-L
7.5A	BROWN	PTF 300 7.5A-L
10A	RED	PTF 300 10A-L
15A	LIGHT BLUE	PTF 300 15A-L
20A	YELLOW	PTF 300 20A-L
25A	CLEAR	PTF 300 25A-L
30A	LIGHT GREEN	PTF 300 30A-L

A	ORIGINAL	SUMITH	25.01.2017	VIKRAM	SACHIN
REV.	DESCRIPTION	DRN. BY	DATE	CK'ED BY	APP'D BY

Projection:



Scale: NTS

Sht. Size: A4

Gen. Tol.:  $\pm 0.25\text{mm}$   
 $\pm 2'$

ALL DIMENSIONS ARE IN MM.  
IF UNLESS OTHERWISE SPECIFIED.