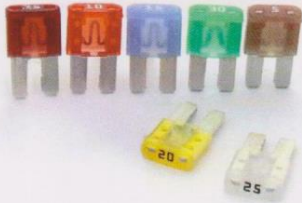
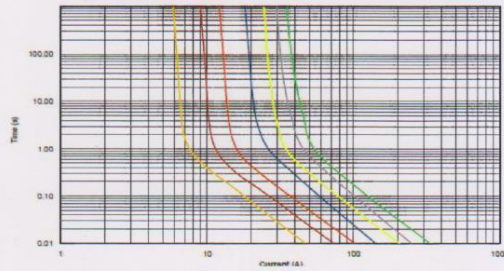


MICRO Blade Fuses Rated 32V

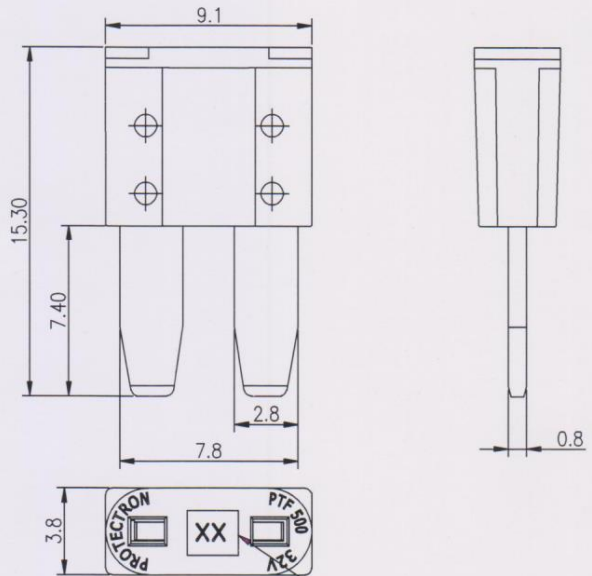


The MICRO Fuse is the new standard for vehicle circuit protection. Its sub-miniature design meets the need for more circuits to be protected while utilizing less space and its ability to cope with high temperatures in adverse environments makes the MICRO Fuse of recommended choice for protection.

Time-Current Characteristic Curves



Dimensions in mm



Time-Current Characteristics

% of Amperes Rating(A)	Opening Time	
	Min	Max (s)
110	100 hrs	-
135	0.75 s	120 s
160	0.30 s	50 s
200	0.15 s	0.5s
350	0.04 s	0.50s
600	0.02 s	0.100 s

DESIGN STANDARDS: UL 275A, JASO D612, SAE J2077

COLOR CODING : Blade fuses are color coded for easy amperage identification.

INTERRUPTING RATING : 1000A @ 32VDC



ORDERING INFORMATION:

Part Number		Current Rating	Housing Color	Rated Voltage (DC)	Nominal Cold Resistance(mΩ)	Minimum Melting I ² T (A ² s)
Tin Plated	Silver Plated					
PTF 500 5A	PTF 500 5A-A	5	Tan	32	17.85	26
PTF 500 7.5A	PTF 500 7.5A-A	7.5	Brown	32	10.91	60
PTF 500 10A	PTF 500 10A-A	10	Red	32	7.70	115
PTF 500 15A	PTF 500 15A-A	15	Blue	32	4.80	340
PTF 500 20A	PTF 500 20A-A	20	Yellow	32	3.38	520
PTF 500 25A	PTF 500 25A-A	25	Natural	32	2.52	1080
PTF 500 30A	PTF 500 30A-A	30	Green	32	1.97	1510



NOTE: The fuse characteristics may change depending on the conditions of use