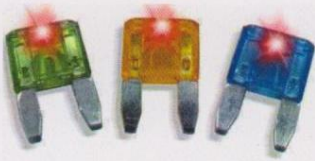


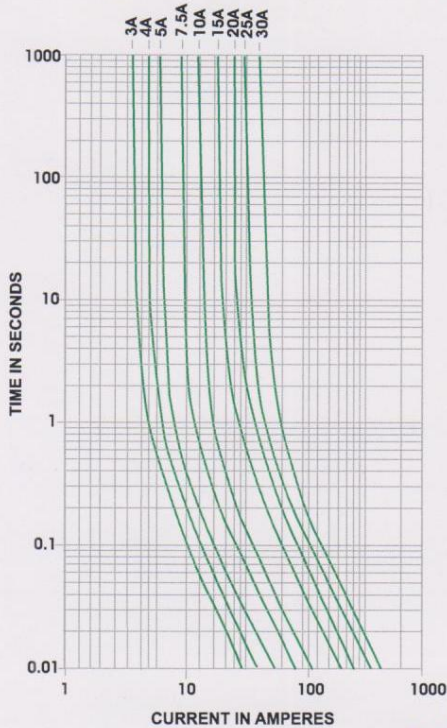
MINI Blade Fuses With LED

IT GLOWS, WHEN IT BLOWS

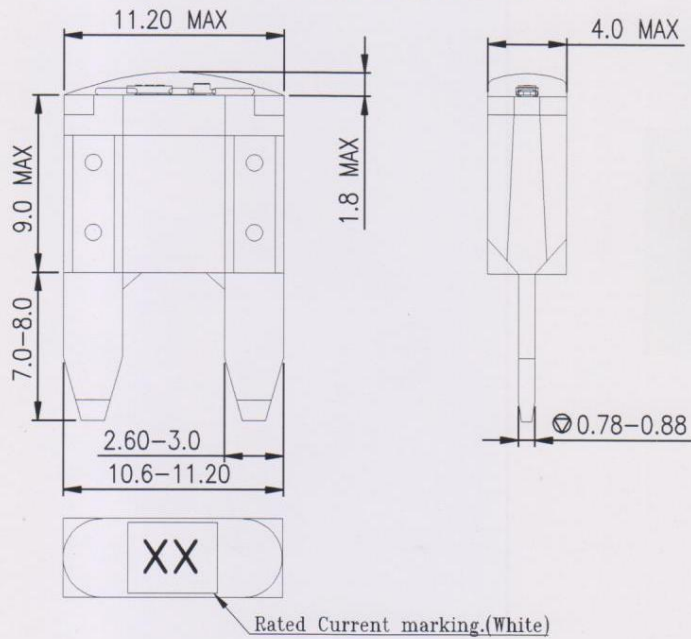
The Mini Blade Fuse with LED feature provides Vehicle circuit protection along with Blown indication. Its miniature design meets the need for more circuits to be protected while utilizing less space, and its ability to cope up with high temperatures in adverse environmental conditions makes the Mini fuse a recommended choice for Protection.



Average Time Current Curves



Dimensions in mm



SPECIFICATIONS

VOLTAGE RATING: 32VDC

INTERRUPT RATING: 1000A @ 32VDC

TERMINALS: Ag / Tin plated Zinc Alloy

Sn plated Zinc Alloy

HOUSING: PA66

COMPLIES WITH: SAE J2077, ISO 8820-3

Time-Current Characteristics

% of Amperes Rating(A)	Opening Time	
	Min	Max (s)
110	100 hrs	-
135	750 ms	600 s
160	250 ms	50 s
200	150 ms	5.0 s
350	40 ms	250 ms
600	20 ms	100 ms

ORDERING INFORMATION:

Part Number	Current Rating (Amps)	Housing Color	Rated Voltage (DC)	Nominal Cold Resistance(mΩ)	Minimum Melting I ² T (A ² s)
PTF 300 3A-L	3	Violet	32	34	9.4
PTF 300 4A-L	4	Pink	32	24	17
PTF 300 5A-L	5	Tan	32	18	25
PTF 300 7.5A-L	7.5	Brown	32	11	68
PTF 300 10A-L	10	Red	32	7.3	93
PTF 300 15A-L	15	Blue	32	4.5	270
PTF 300 20A-L	20	Yellow	32	3.2	380
PTF 300 25A-L	25	Natural	32	2.3	625
PTF 300 30A-L	30	Green	32	1.8	1130

NOTE: The fuse characteristics may change depending on the conditions of use

