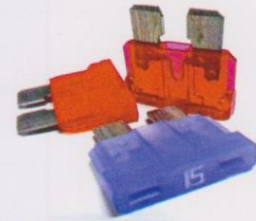


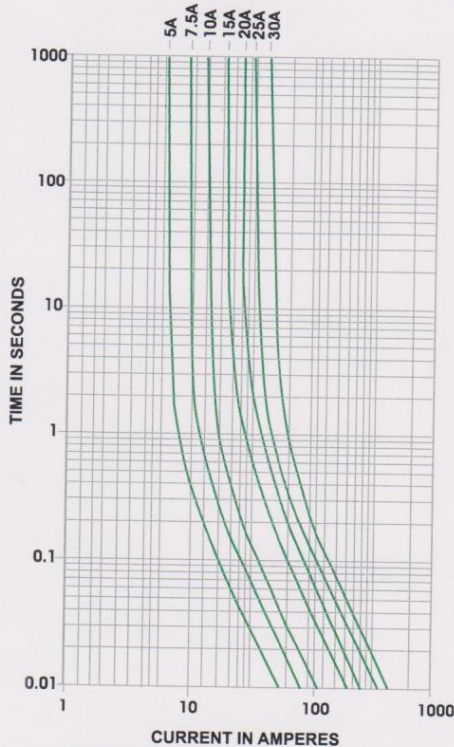
# LC (LOW COST) MIDI BLADE FUSES

**PROTECTRON**

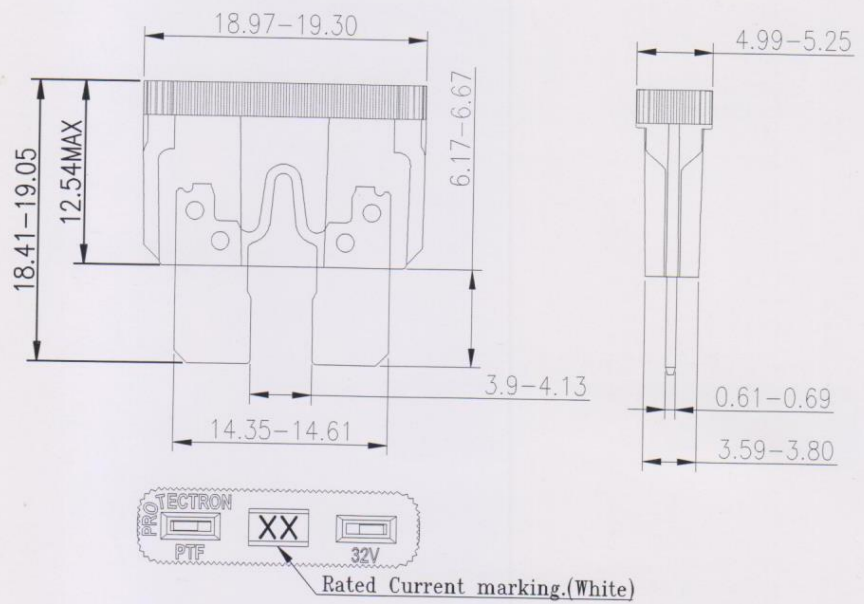
With absolutely no change in performance, characteristic, electrical specification or physical fitment Low Cost (LC) Midi Blade Fuses promise lower cost when compared to standard Midi Blade Fuses .  
Indigenously Manufactured on Fully Automatic Production Lines, each fuse offers easy identification and replaceability for wide variety of applications .



## Average Time Current Curves



## Dimensions in mm



**DESIGN STANDARDS:** U.L. 275A for Automotive Blade Type Fuses. SAE J1284. JASO D612-97

**COLOR CODING:** Blade fuses are color coded for easy amperage identification.

**INTERRUPTING RATING:** 1000A @ 32VDC

## Time-Current Characteristics

% of Amperes Rating(A)	Opening Time	
	Min	Max (s)
110	100 hrs	-
135	750 ms	1800 s
200	150 ms	5.0 s
350	40 ms	500 ms
600	20 ms	100 ms

## ORDERING INFORMATION:



Part Number	Current Rating	Housing Color	Rated Voltage (DC)	Nominal Cold Resistance(mΩ)	Minimum Melting I <sup>2</sup> T (A <sup>2</sup> s)
PTF 200 5A -NLC	5	Tan	32	17.85	26
PTF 200 7.5A-NLC	7.5	Brown	32	10.91	60
PTF 200 10A-NLC	10	Red	32	7.70	115
PTF 200 15A-NLC	15	Blue	32	4.80	340
PTF 200 20A-NLC	20	Yellow	32	3.38	520
PTF 200 25A-NLC	25	Natural	32	2.52	1080
PTF 200 30A-NLC	30	Green	32	1.97	1510

NOTE: The fuse characteristics may change depending on the conditions of use

