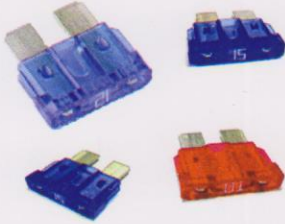
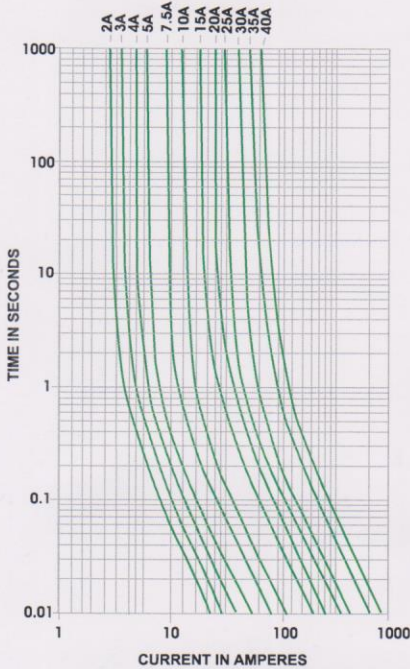


# JAPANESE STYLE MIDI BLADE FUSES (WITH KNURLING AND FLAP)

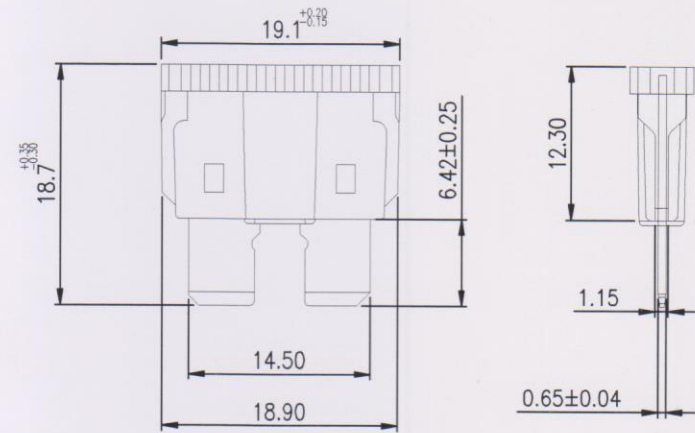


Retaining the MIDI Blade Fuses Electrical and Performance Characteristics, these Japanese Style MIDI Blade Fuses offer additional features in the form of knurling, to improve installation and removal of fuses by hand and also a flap at the bottom of the fuse for additional safety. These fuses are suitable for use in Automobile, UPS & Electronic Circuits. Manufactured Indigenously on fully automatic Production lines.

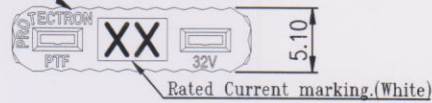
### Average Time Current Curves



### Dimensions in mm



Knurling P:1.5 H:0.2



### Time-Current Characteristics

% of Amperes Rating(A)	Opening Time	
	Min	Max (s)
110	100 hrs	-
135	750 ms	1800 s
200	150 ms	5.0 s
350	40 ms	500 ms
600	20 ms	200ms

**DESIGN STANDARDS:** U.L. 275A for Automotive Blade Type Fuses. SAE J1284.JASO D612-97

**COLOR CODING :** Blade fuses are color coded for easy amperage identification.

**INTERRUPTING RATING:** 1000A @ 32VDC

### ORDERING INFORMATION :

Part Number	Current Rating	Housing Color	Rated Voltage (DC)	Typ.Cold Resistance(mΩ)	I <sup>2</sup> T (A <sup>2</sup> s)
PTF 600 2A	2	Grey	32	52.1	1.4
PTF 600 3A	3	Violet	32	31.1	7.4
PTF 600 4A	4	Pink	32	22.8	14
PTF 600 5A	5	Tan	32	17.85	26
PTF 600 7.5A	7.5	Brown	32	10.91	60
PTF 600 10A	10	Red	32	7.70	115
PTF 600 15A	15	Blue	32	4.80	340
PTF 600 20A	20	Yellow	32	3.38	520
PTF 600 25A	25	Natural	32	2.52	1080
PTF 600 30A	30	Green	32	1.97	1510
PTF 600 35A	35	Blue green	32	1.61	2280
PTF 600 40A	40	orange	32	1.44	3310

NOTE: The fuse characteristics may change depending on the conditions of use

