

# SIM CARD HOLDERS

## Sim Card Holder with Pegs (Pitch:End-End=29.90mm)

### PSIMC-XX-CP-X

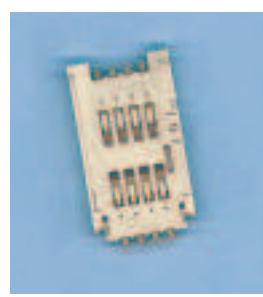
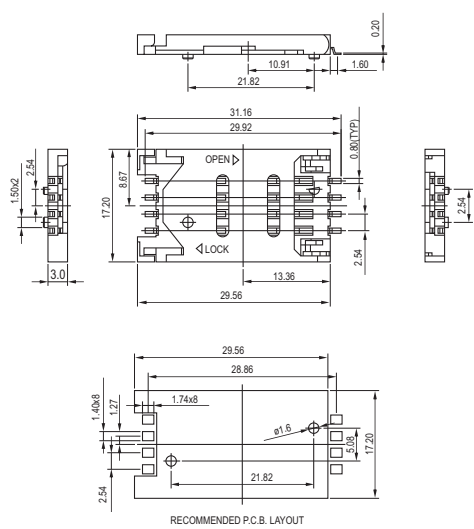
#### Specifications

- Current Rating : 0.5A
- Contact Resistance : 50mΩ typical, 100mΩ max.
- Insulation Resistance : 1000MΩ min.at 500V DC
- Temperature Range : -40°C to +85°C
- Durability : 10000 Cycles

#### Material & Finish

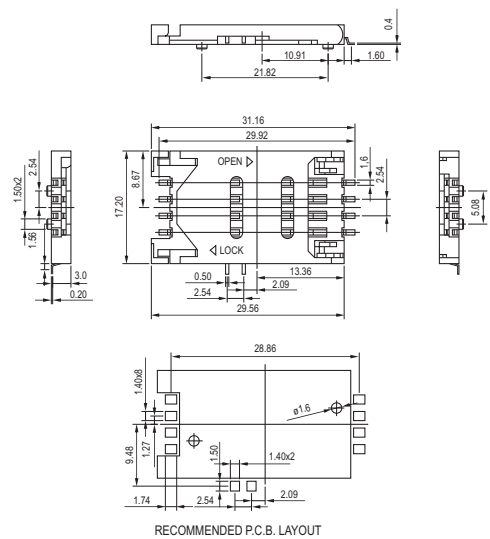
- Body : Thermoplastic, UL94V-0, beige colour
- Cover : Thermoplastic, UL 94V-0, beige colour
- Contact : Phosphor bronze, Gold plated/Selective

- No. of Contacts: 06, 08
- Plating: 1=Gold Flash  
6=Gold flash on contact area & tin on tail



## Sim Card Holder With Pegs With Switch (Pitch:End End=29.90mm)

### PSIMC1-XX-CPS-X



- No. of Contacts: 06, 08
- Plating: 1=Gold Flash  
6=Gold flash on contact area & tin on tail



## Sim Card Holder Low Profile (Pitch:End-End=27.20mm)

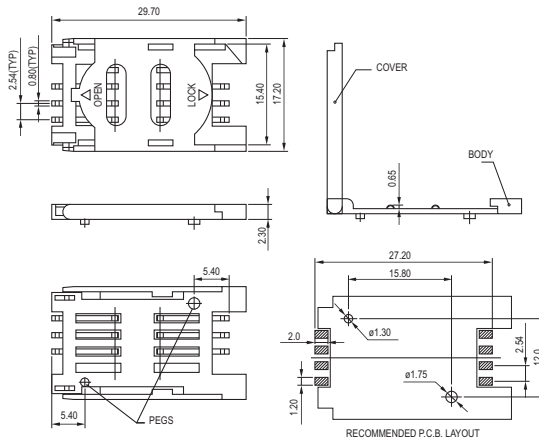
## PSIMC2 Series

### Specifications

Current Rating	: 0.5A max.
Contact Resistance	: 30mΩ max.
Insulation Resistance	: 1000MΩ min. at 500V AC
Temperature Range	: -25°C to +85°C
Dielectric Withstanding	: 500V AC rms for 1min.
Durability	: 5000 Cycles

### Material & Finish

Body	: PPS, UL94V-0, black colour
Cover	: Thermoplastic, UL 94V-0, black colour
Contact	: Phosphor bronze, Gold plated/Selective



## ORDERING INFORMATION

PSIMC2-XX-CX-X			
Series	No. of contacts	Peg Option	Plating
PSIMC2	06, 08	P=With peg O=W/o Peg	1=Gold Flash 6=Gold flash on contact area tin on tail

## Sim Card Holder W/o Pegs with Metal Clip Low Profile (pitch:end-end=27.20mm)

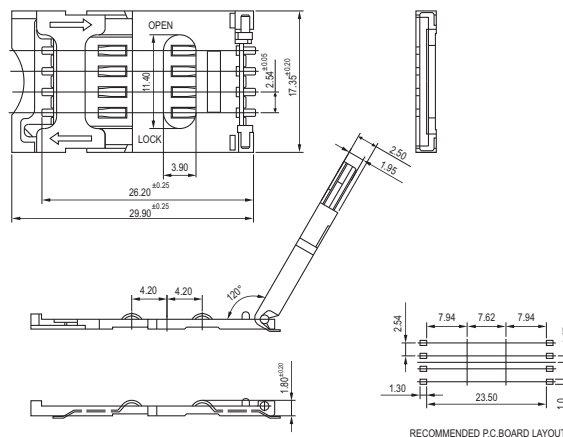
## PSIMC3-XX-CO-X

### Specifications

Current Rating	: 1A
Contact Resistance	: 100mΩ max.
Insulation Resistance	: 1000MΩ min.
Dielectric Withstanding	: 250V AC
Temperature Range	: -40°C to +85°C
Durability	: 5000 Cycles

### Material & Finish

Body	: Polyester, UL94V-0, black colour
Cover	: Polyester, UL 94V-0, black colour
Contact	: Phosphor bronze, Gold plated/Selective



No. of Contacts: ←  
06, 08  
Plating: ←  
1=Gold Flash  
6=Gold flash on contact area & tin on tail



## Sim Card Holder Push Button Type W/o Pegs With Switch (Pitch:End-End=24.60mm)

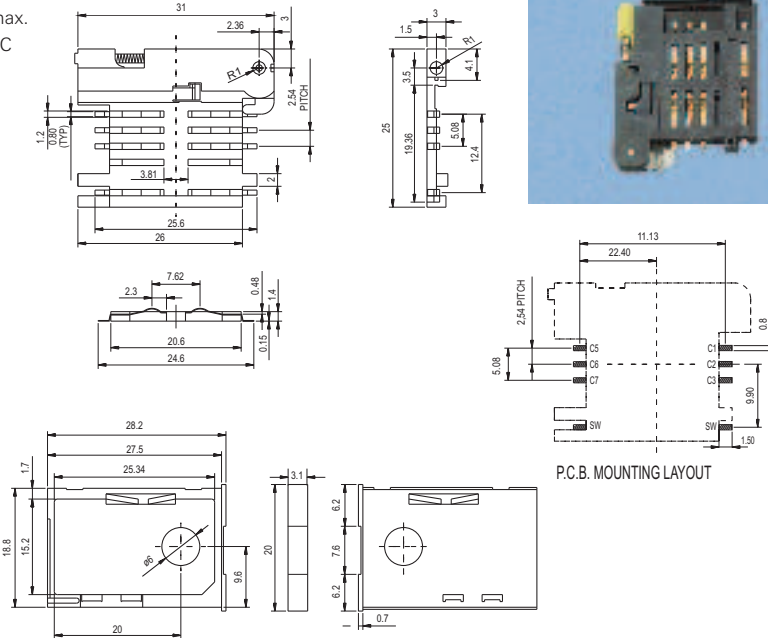
PSIMC9-06-COS-6

### Specifications

Contact Resistance	: 60mΩ Typical, 100mΩ max.
Insulation Resistance	: 1000MΩ min. at 500V DC
Temperature Range	: -25°C to +85°C
Durability	: 10000 Cycles

### Material & Finish

Body	: Thermoplastic Polyester, UL94V-0, Black Colour
Cover	: Thermoplastic Polyester UL94V-0, Black Colour
Contact	: Phosphor Bronze, Selective Gold Plated



## Sim Card Holder Low Profile With Pegs (Pitch:End-End=25.10mm)

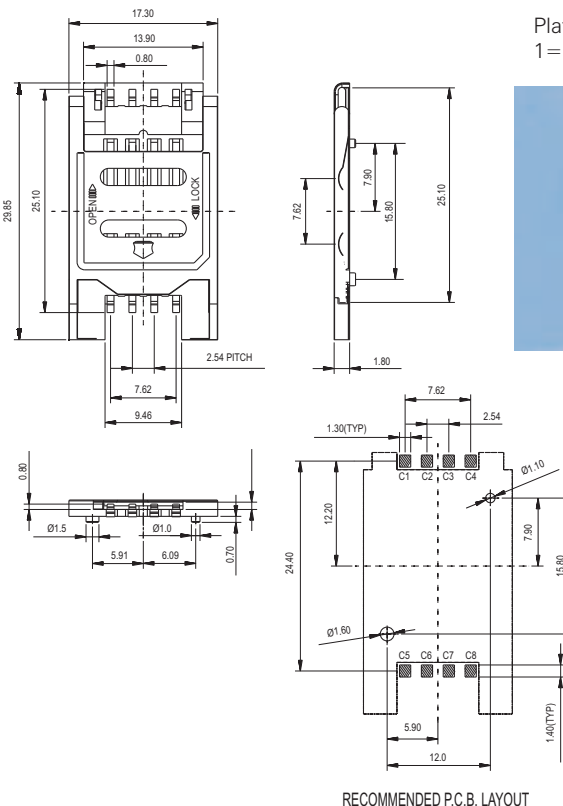
PSIMC11-XX-CP-1

### Specifications

Contact Resistance	: 50mΩ Typical, 100mΩ max.
Insulation Resistance	: 1000MΩ min. at 500V DC
Temperature Range	: -40°C to +85°C
Durability	: 5000 Cycles

### Material & Finish

Body	: Thermoplastic Polyester, UL94V-0, Black Colour
Cover	: Thermoplastic Polyester UL94V-0, Black Colour
Contact	: Phosphor Bronze, Gold Plated



No. of Contacts: ←  
06, 08

Plating: ←  
1=Gold Flash

## Sim Card Holder With Pegs, 2.20 MM Thick (pitch End - End 25.60 MM)

### PSIMC14-XX-CP-6

No. Of Contacts  
06  
08

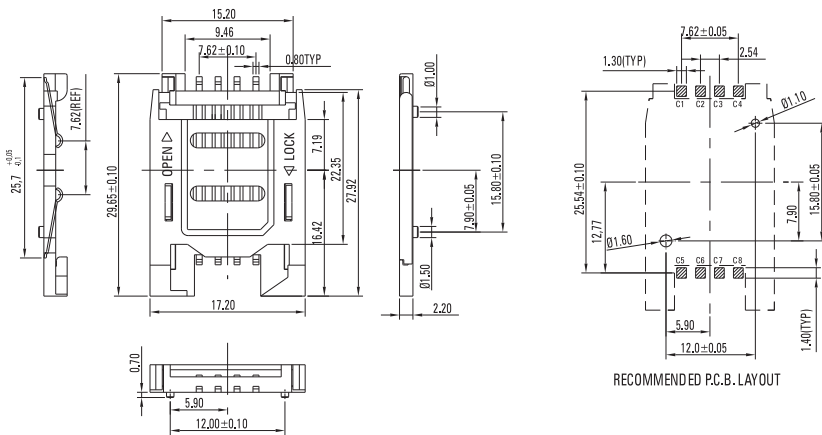
Plating  
6=gold Flash On Contact  
Area & Tin On Tail

#### Specifications :

Contact Resistance : 50mΩ Typical, 100mΩ max.  
Insulation Resistance : > 1000MΩ min. At 500 V DC  
Temperature Range : -40°C To +85°C  
Durability (life Test) : 10,000 Cycles

#### Material & Finish :

Contact : Phosphor Bronze, Selective Gold Plated  
Body & Cover : Thermo Plastic Polyester UL 94V-0



## Sim card holder, push-push type

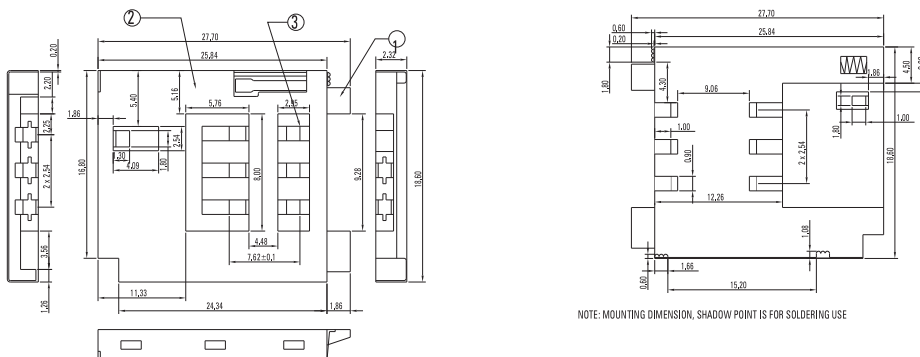
### PSIMC16-06-PP-1

#### Specifications :

Voltage Rating : 5V  
Current Rating : 1A max.  
Insulation Resistance : 1000M Ohms min. at 500 V DC  
Temperature Range : -25°C To +85°C  
Dielectric Withstanding : 500 V AC/minute

#### Material & Finish :

Contact : Phosphor Bronze, Gold Plated  
Cover : Stainless Steel  
Holder : LCP



# MEMORY / SD CARD HOLDERS

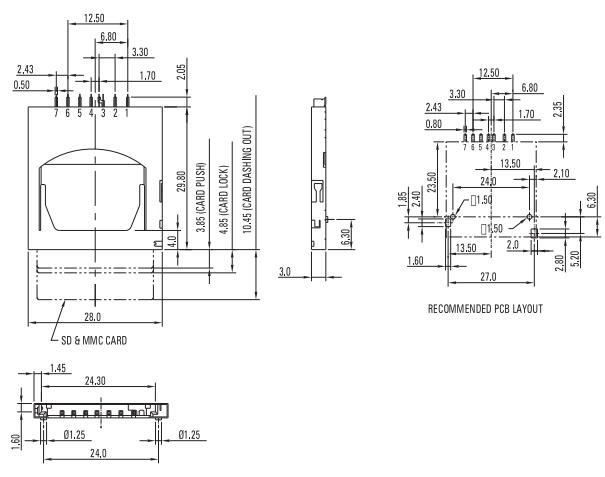
**Specifications :**

Voltage Rating : 100V AC / DC  
 Current Rating : 0.5A  
 Contact Resistance : <20mΩ  
 Insulation Resistance : 100MΩ min. At 500 V DC  
 Temperature Range : -25°C to +90°C  
 Durability (life Test) : 10,000 Cycles

**Material & Finish :**  
 Contact : Phosphor Bronze, Selective Gold Plated  
 Insulator : LCP + 30% GF, UL94V-0

## Digital Memory Card Holder SMT With Peg Without Switch 7 Pin

PMMC-07-0P-9



## Micro SD Card Connector SMT Without Pegs Friction Technology

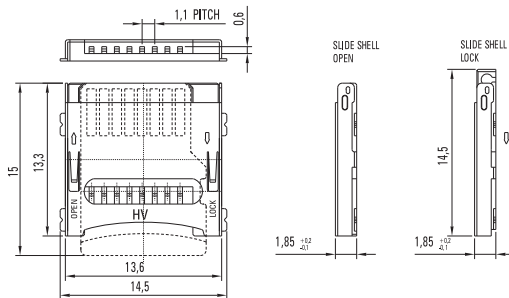
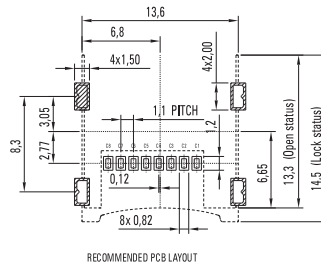
PMSDC-08-00-1

### Specifications :

Contact Resistance	: 100mΩ / 20 mA
Insulation Resistance	: > 1000MΩ Min. At 500 V Dc
Temperature Range	: -40°C To +85°C
Dielectric Withstanding	: 500 V Ac
Durability (life Test)	: 5000 Cycles Min.

### Material & Finish :

Contact	: Copper Alloy
Insulator	: Thermo Plastic, UL94v-0



PIN	Micro SD Mode	
	Name	Description
1	DAT2	Data Line (Bit 2)
2	CD/DAT3	Card Detect / Data Line (Bit3)
3	CMD	Command Response
4	VDD	Supply Voltage
5	CLK	Clock
6	VSS	Supply Voltage Ground
7	DAT0	Data Line (Bit 0)
8	DAT1	Data Line (Bit 1)