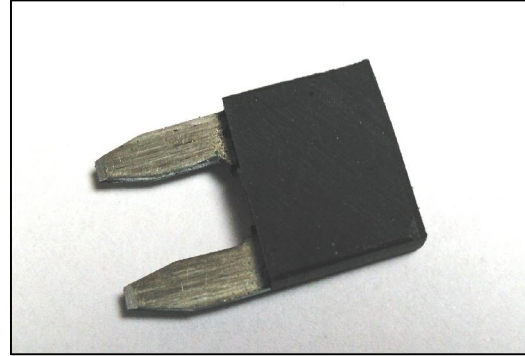


DESCRIPTION : MINI RESISTOR

PART NO: PMR 121ohm

RoHS



### PHYSICAL DATA

#### INSULATION

MATERIAL : NYLON 6  
TERMINAL : ZINC ALLOY, TIN PLATED.

PACKAGING TYPE : STANDARD PACKING

### ELECTRICAL DATA

RESISTANCE : 121 OHMS, 1/2W 1%.

### ENVIRONMENTAL DATA

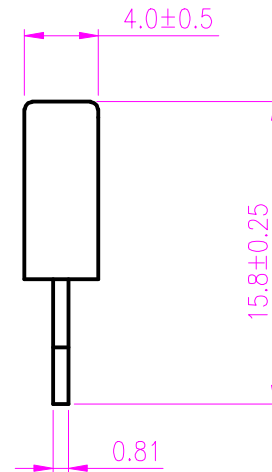
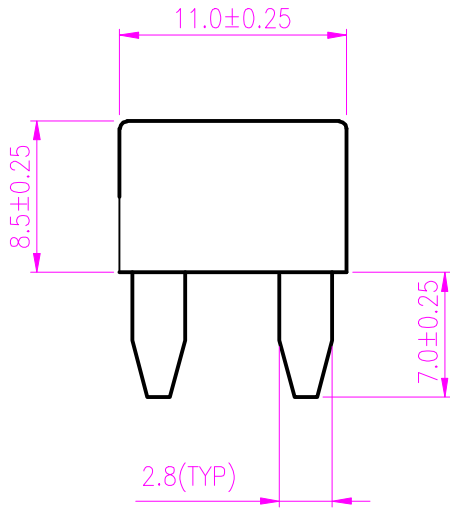
TEMPERATURE RANGE : -40° TO +85° C



# PROTECTRON ELECTROMECH (P) LTD

DESCRIPTION : MINI RESISTOR

PART NO: PMR 121ohm



A1	DRAWING REVISED FOR MATERIAL CHANGE THERMOPLASTIC TO NYLON 6.	SUMITH	29.07.2016		
A	ORIGINAL	SUMITH	03.04.2015		
REV.	DESCRIPTION	DRN. BY	DATE	CK'ED BY	APP'D BY

Projection: 	Scale: NTS	Sht. Size: A4	Gen. Tol.: ±0.3mm ±2°	ALL DIMENSIONS ARE IN MM. IF UNLESS OTHERWISE SPECIFIED.
-----------------	------------	---------------	--------------------------	---