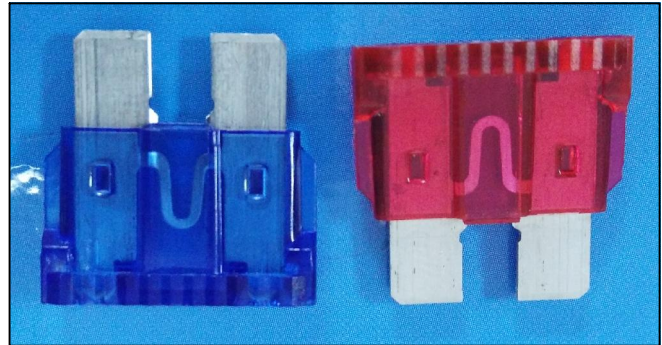




PROTECTRON ELECTROMECH (P) LTD

DESCRIPTION :MIDI BLADE FUSE FOR HES

PART NO: PTF 200 In-XWF
(REFER TABLE)



MATERIAL AND FINISH:

BODY : POLYCARBONATE/ NYLON
ELEMENT : ZINC MATERIAL, TIN PLATED

ELECTRICAL PARAMETERS:

RATED VOLTAGE MAX : DC 32 OR LESS
INTERRUPTING RATING : 1000A @ 32V DC

DESIGN STANDARDS :

1. HES STANDARD FOR AUTOMOTIVE BLADE TYPE FUSES.

MARKINGS ON INSULATOR SHOULD BE AS FOLLOWS:-

'AMPERAGE', 'VOLTAGE RATING' AND 'PROTECTRON' (MANUFACTURER)

ELECTRICAL CHARACTERISTICS:-

| % OF AMPERE RATING | AMPERE RATING | OPENING TIME |
|--------------------|---------------|--------------------------------|
| 110% | 5-30Amp | 100 Hours Min. |
| 135% | 5-30Amp | 750 msec., Min.; 1800sec, Max. |
| 200% | 5-30Amp | 150 msec., Min.; 5sec, Max. |
| 350% | 5-30Amp | 40 msec., Min.; 500msec., Max. |
| 600% | 5-30Amp | 20 msec., Min.; 200msec., Max. |

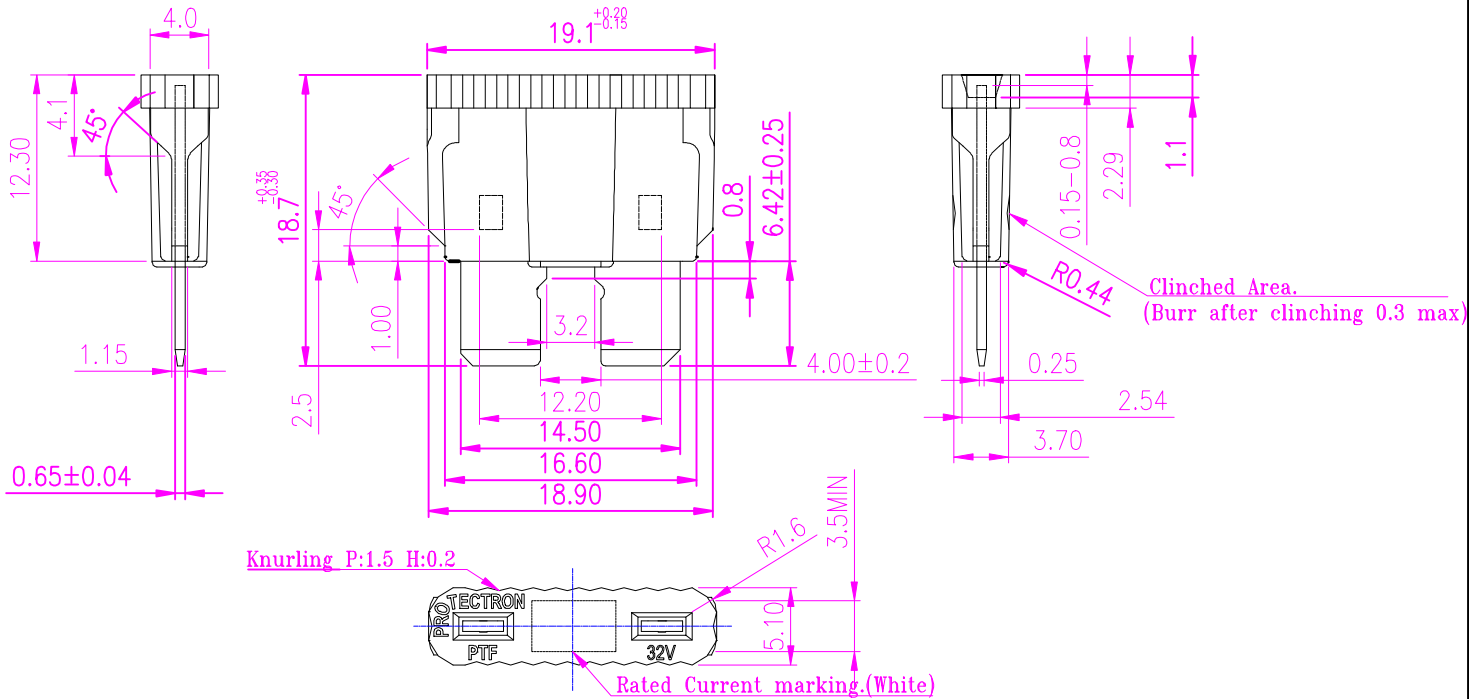
FOR DWG REFER NEXT PAGE



PROTECTRON ELECTROMECH (P) LTD

DESCRIPTION :MIDI BLADE FUSE HES

PART NO: PTF 200 In-XWF
(REFER TABLE)



ORDERING INFORMATION

PTF 200 In-XWF

In = NOMINAL CURRENT(5A TO 30A) "(BLANK)" = PC
N = NYLON

| NOMINAL CURRENT RANGE (In) | BODY COLOUR | CUSTOMER PART NO | PROTECTRON PART NO |
|----------------------------|-----------------------|------------------|--------------------|
| 5A | TAN [YELLOWISH BROWN] | 98200-30500 | PTF 200 5A-XWF |
| 7.5A | BROWN [BROWN] | 98200-30750 | PTF 200 7.5A-XWF |
| 10A | RED [RED] | 98200-31000 | PTF 200 10A-XWF |
| 15A | LIGHT BLUE [BLUE] | 98200-31500 | PTF 200 15A-XWF |
| 20A | YELLOW [YELLOW] | 98200-32000 | PTF 200 20A-XWF |
| 25A | CLEAR [TRANSPARENT] | 98200-32500 | PTF 200 25A-XWF |
| 30A | LIGHT GREEN [GREEN] | 98200-33000 | PTF 200 30A-XWF |

| | | | | | | |
|------|-------------|-------------|---------------|---------------------------|---|----------|
| A | ORIGINAL | | SUMITH | 26.11.2015 | SACHIN | |
| REV. | | DESCRIPTION | DRN. BY | DATE | CK'ED BY | APP'D BY |
| | Projection: | Scale: NTS | Sht. Size: A4 | Gen. Tol.: ±0.25mm ±2° | ALL DIMENSIONS ARE IN MM. IF UNLESS OTHERWISE SPECIFIED. | |