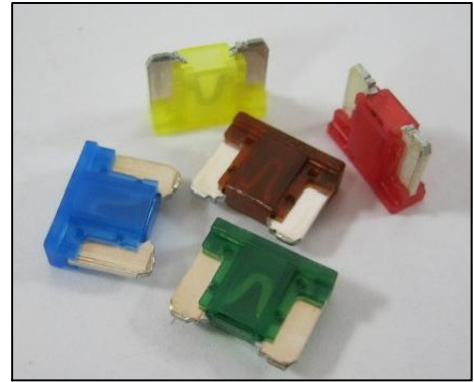




PROTECTRON ELECTROMECH (P) LTD

DESCRIPTION : LP MINI BLADE FUSE

PART NO: PTF 400 In/In-A
(REFER TABLE)



MATERIAL AND FINISH

BODY : NYLON/PA66
ELEMENT : ZINC MATERIAL, TIN/SILVER PLATED

ELECTRICAL PARAMETERS:

RATED VOLTAGE : DC 58V OR LESS
INTERRUPTING RATING : 1000A @ 58V DC
OPERATING TEMPERATURE : -40°C TO +125°C

MARKINGS ON THE INSULATOR SHOULD BE AS FOLLOWS:-

'AMPERAGE', 'VOLTAGE RATING' AND 'PROTECTRON' (MANUFACTURER)

ELECTRICAL CHARACTERISTICS:-

% OF AMPERE RATING	AMPERE RATING	OPENING TIME
110%	2-30Amp	100 Hours Min.
135%	2-30Amp	0.75sec. Min.; 120sec. Max.
200%	2-30Amp	0.15sec. Min.; 5sec. Max.
350%	2-30Amp	0.08sec. Min.; 0.25sec. Max.
600%	2-30Amp	0.03sec. Min; 0.1sec. Max.

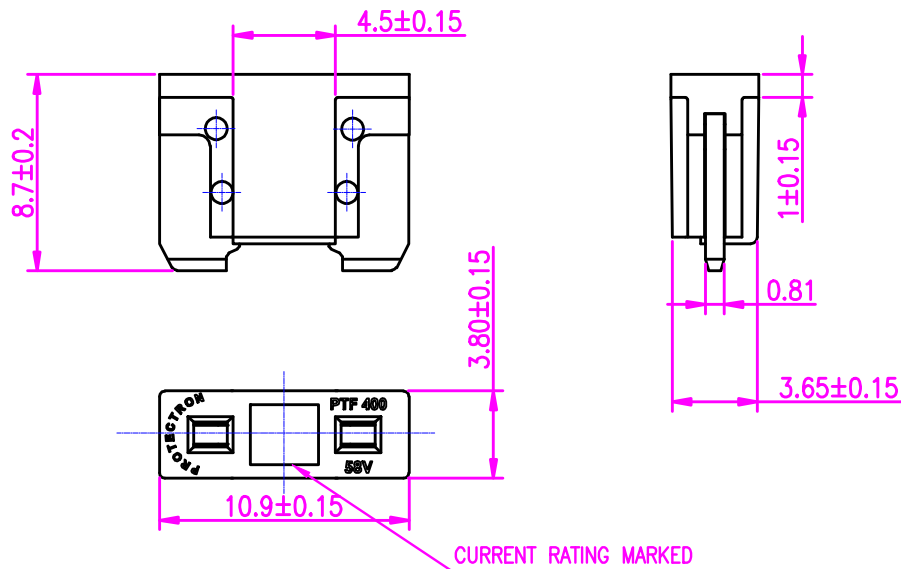
FOR DWG REFER NEXT PAGE



PROTECTRON ELECTROMECH (P) LTD

DESCRIPTION : LP MINI BLADE FUSE

PART NO: PTF 400 In/In-A
(REFER TABLE)



ORDERING INFORMATION

PTF 400 In-A

In = NOMINAL CURRENT(3A TO 30A) "(BLANK)" = TIN PLATING
 A = SILVER PLATING

CURRENT RATING	BODY COLOUR	PART NO.	PLATING SPECS
5A	TAN	PTF 400 5A-A	TIN/SILVER
7.5A	BROWN	PTF 400 7.5A-A	TIN/SILVER
10A	RED	PTF 400 10A-A	TIN/SILVER
15A	BLUE	PTF 400 15A-A	TIN/SILVER
20A	YELLOW	PTF 400 20A-A	TIN/SILVER
25A	NATURAL	PTF 400 25A-A	TIN/SILVER
30A	GREEN	PTF 400 30A-A	TIN/SILVER

A	ORIGINAL	SUMITH	30.09.2016	VIKRAM	
REV.	DESCRIPTION	DRN. BY	DATE	CK'ED BY	APP'D BY



Scale: NTS

Sht. Size: A4

Gen. Tol.: ± 0.25 mm
 ± 2

ALL DIMENSIONS ARE IN MM.
IF UNLESS OTHERWISE SPECIFIED.