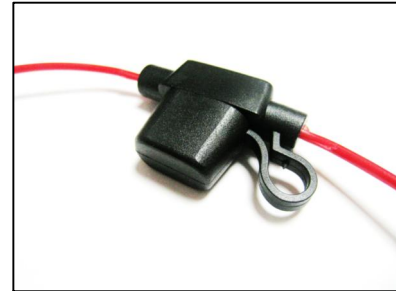




PROTECTRON ELECTROMECH (P) LTD

DESCRIPTION : INLINE FUSE HOLDER FOR MINI-BLADE FUSE

PART NO: P8041-19



PHYSICAL DATA

MOLDED PARTS : PVC, UL94V-0, BLACK COLOR
TERMINALS : PHOSPHOR BRONZE ,TIN PLATED

ELECTRICAL DATA

CURRENT RATING : 3A
CONTACT RESISTANCE : 300m Ω MAX WITH RESISTOR (END TO END CABLE)
INSULATION RESISTANCE : 100M Ω MIN AT 500V DC
WIRE : 1.0 Sq mm FLRYB RED COLOR WITH 150mm LENGTH ON EACH END.

MECHANICAL DATA

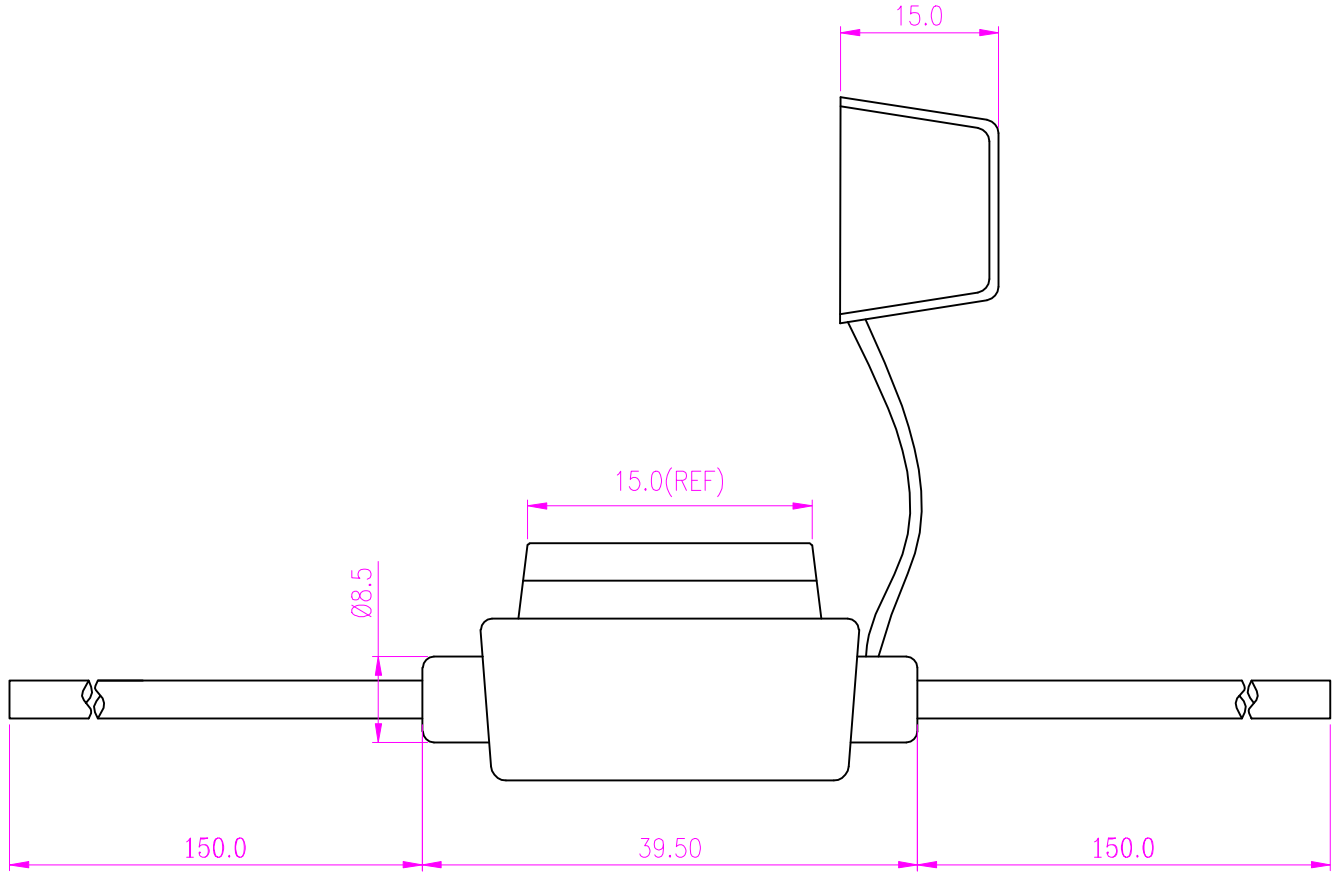
INSERTION FORCE : 8.0Kgs MAX.
EXTRACTION FORCE : 8.0Kgs MAX.



PROTECTRON ELECTROMECH (P) LTD

DESCRIPTION : INLINE FUSE HOLDER FOR MINI-BLADE FUSE

PART NO: P8041-19



ORDERING INFORMATION

P8041-19

A	ORIGINAL	CHETAN	15.03.2016		
REV.		DESCRIPTION	DRN. BY	DATE	CK'ED BY

Projection:



Scale: NTS

Sht. Size: A4

ALL DIMENSIONS ARE IN MM.
IF UNLESS OTHERWISE SPECIFIED.

<http://www.protectron.in>

protectron@protectron.in